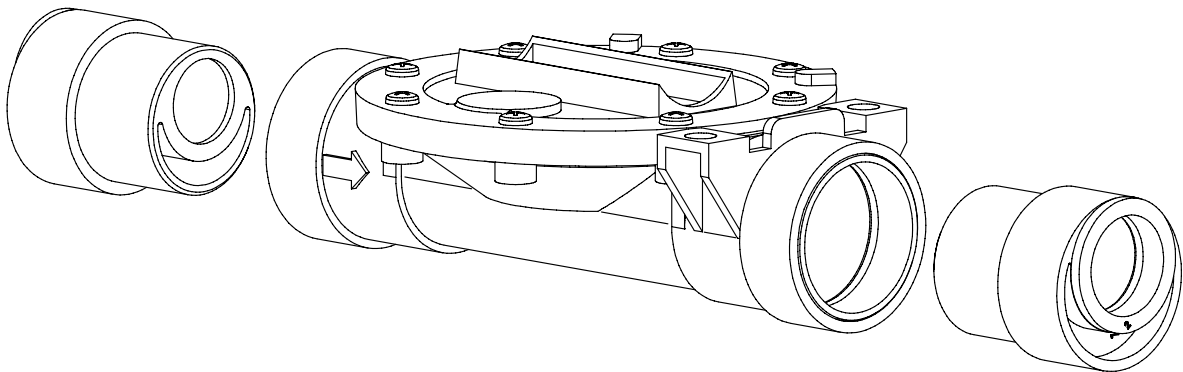
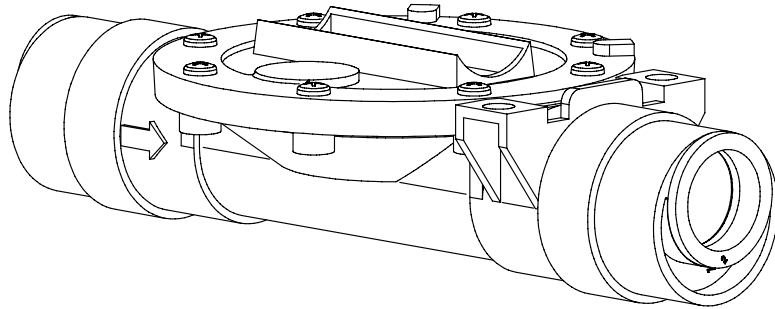


Assembly Instructions

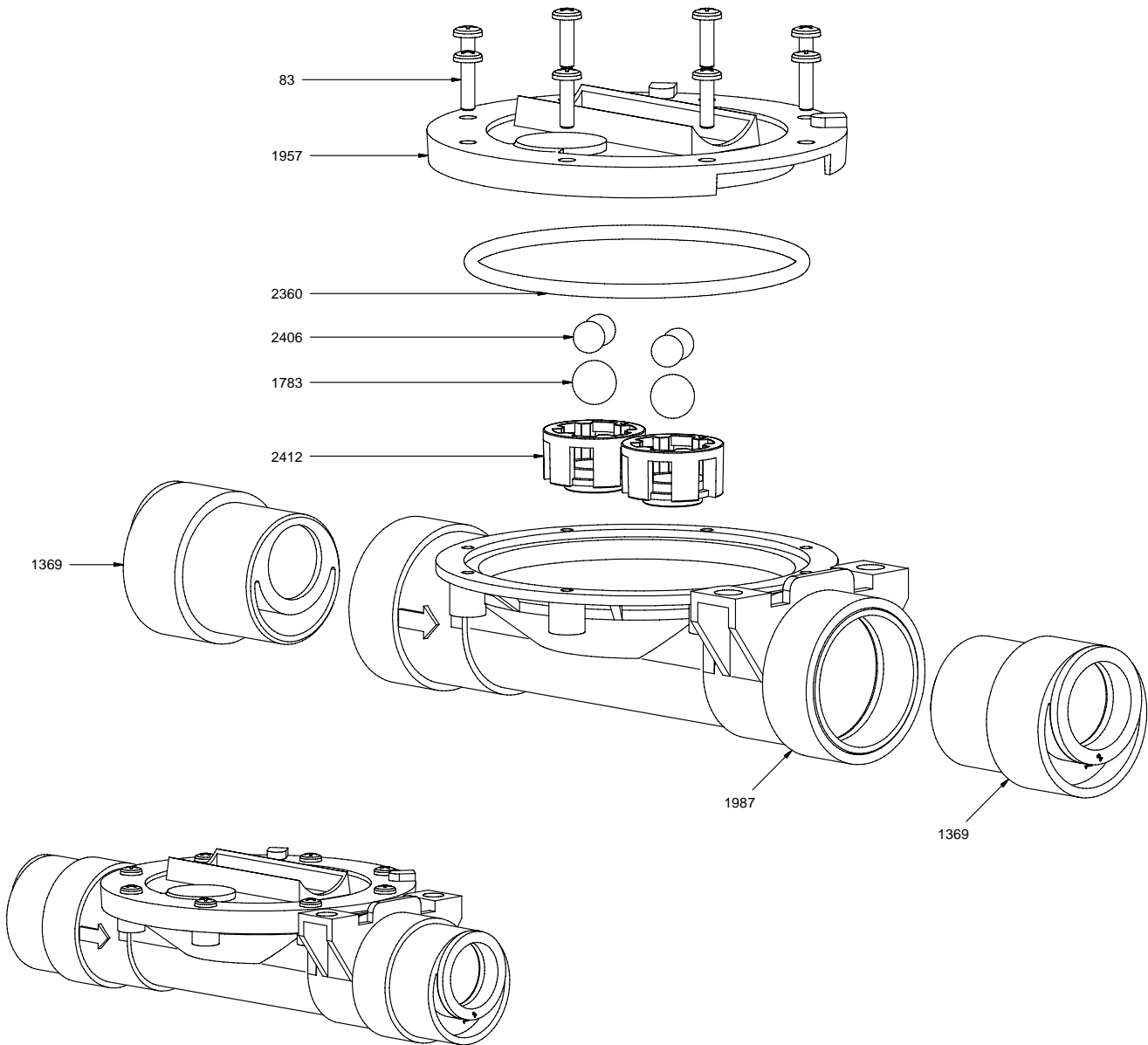


CAUTION

DO NOT ALLOW THIS ITEM TO COME INTO CONTACT WITH PETROLEUM, PHENOL OR ALDEHYDE BASED PRODUCTS OR ANY OTHER CORROSIVE PRODUCT IN GENERAL

COMPONENTS

PART NR.	QTY	DESCRIPTION
83	8	FASTENER: SCREW PAN HD PHILLIPS #7 - 18 X 1/2" LG - PLASTITE THREAD
1369	2	ADAPTER: BIG ACE SPIGOT X ACE SLIP
1783	2	DRINKER PART: BALL - 7/16" BIG Z
1957	1	SLOPE NEUTRALIZER PART: TOP NO RISER TUBE
1987	1	SLOPE NEUTRALIZER PART: BODY
2360	1	O-RING: 3.161" ID X 3.44" OD X 0.139" CS
2406	4	SLOPE NEUTRALIZER PART: BALL - 8.0MM
2412	2	SLOPE NEUTRALIZER PART: BALL RETAINER





P.O. Box 1169
 101 Industrial Parkway
 Middlebury, Indiana
 46540-1169, USA
 Tel: + 1 574.825.5849
 Fax: + 1 574.825.7674
 Web: www.ziggity.com