



T-MAX SYSTEM

For Adult Turkeys Only

The Only Self-Cleaning, Built-To-Survive Drinker.

PROVEN BENEFITS:

Improves bird health / Maximum weight performance / Reduces litter moisture and ammonia release / Reduces litter management / Improves feed efficiency / Lowers litter costs / Reduces undergrades and mortality / Reduces medication costs / Longer system life

1

Finally, an alternative to bell drinkers that outperforms other watering systems in all critical areas. The Ziggity T-Max adult turkey drinker is founded on proven concepts that made Ziggity number one in poult watering. Years of field research and fine-tuning has resulted in a drinker ideally suited to the adult turkey environment and the way turkeys drink.

2

Turkeys have poor eye-to-beak coordination, so we created a large target that turkeys can't miss. T-Max is designed to dispense fresh water with each drinking action, while minimizing spillage. Birds grow big. Litter stays drier, reducing ammonia release, ensuring healthier flocks.

3

T-Max tips and rotates while the turkey drinks. This action swishes water around, cleaning the activator, eliminating many hours of scrubbing required for traditional bell drinkers. Plus, field tests show that litter tilling can be dramatically reduced or eliminated.

4

Turkeys can rapidly wear out watering systems. Ziggity's flex-stem feature absorbs aggressive turkey behavior, reducing the risk of breakage and potential leaks.

T-Max Drinker Benefits.

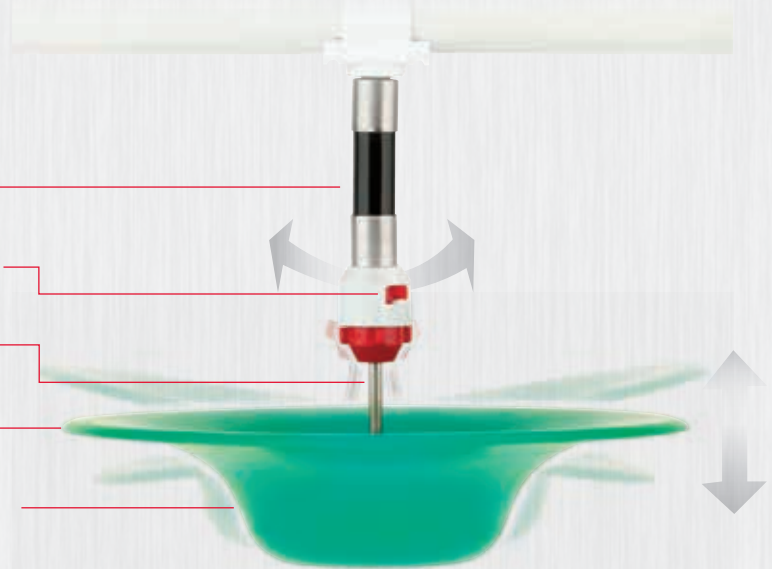
Flexible, shock-absorbing stem prevents breakage.

Twin lock design keeps the drinker secure in the pipe saddle.

Corrosion-resistant stainless steel components for long life.

Activator tips and rotates so water swishes it clean as birds drink.

Made from long lasting heavy-duty materials and designed to prevent spillage.



T-MAX
DRINKERS



Advanced Drinker Technology

T-Max features a heavy-duty drinker with a long trigger pin attached to a green water bearing activator. This design affords the turkey unobstructed access to water and, because turkeys are attracted to the color green, transitioning to T-Max drinkers is stress-free.

Visit www.ziggity.com/turkey for a video demonstration.

The same concept that makes Ziggity the leader in poult watering is also available for adult turkeys.



Regulator

Delivers high water volume at the low pressure required for no-spill drinking. Built-in flush valve makes for easy removal of sediment, biofilm and air.



Solenoid Regulator

For automatic and unattended system flushing – requires connection to a controller or timer with a 24 VAC output.



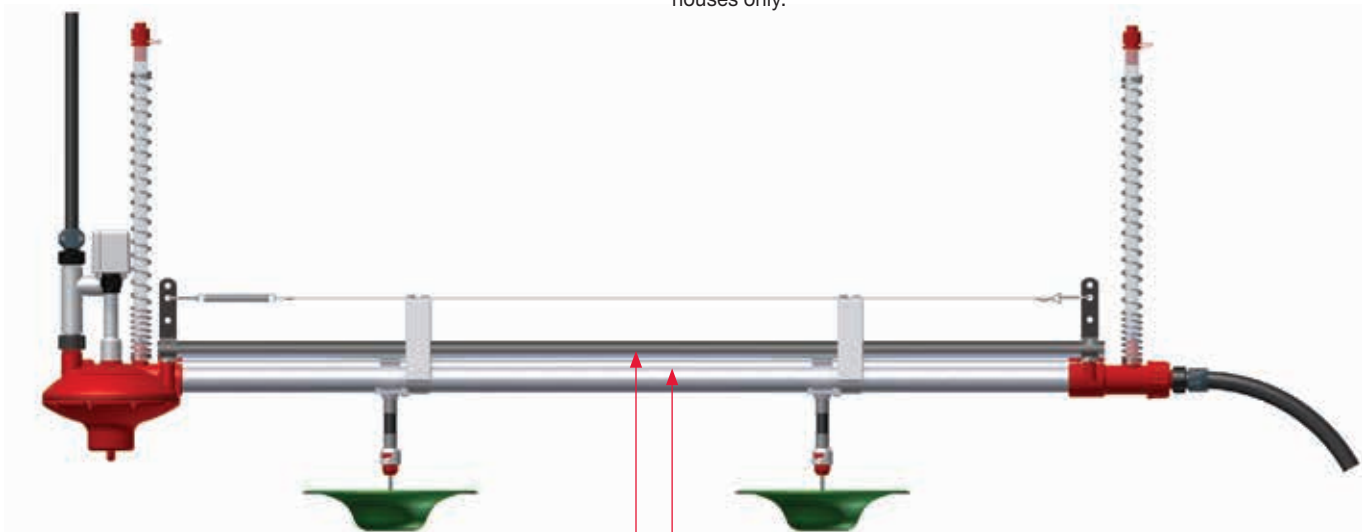
Slope Neutralizer

Reduces slope pressure by a preset amount, requires no adjustment and maintains system pressure setting even when birds are not drinking. Required in sloped houses only.



End Assembly

Opens automatically during the flush mode for easy and effective flushing.



Galvanized Support Pipe
For best stability and strength use a threaded, galvanized pipe.



Large Diameter Pipe

Industry's largest water bearing pipe has virtually no internal obstructions for effective flushing.



100% FOCUSED

Ziggity Support:

As the only manufacturer 100 percent focused on poultry watering, Ziggity provides a number of available resources to optimize bird and system performance.



Web Site:

www.ziggity.com. Lots of useful product and watering information. View on computer or mobile device.



POULTRY WATERING

Poultry Watering Insights and Principles:

A source of real world information and advice.

Subscribe to Watering Insights eNews at

www.poultrywatering.com



Management Procedures:

Helpful recommendations for managing Ziggity watering systems.

The Poultry Watering Specialists



Ziggity Systems, Inc.

P.O. Box 1169 • 101 Industrial Parkway

Middlebury, Indiana 46540-1169 USA

Tel: +1 574.825.5849 • Fax: +1 574.825.7674

www.ziggity.com