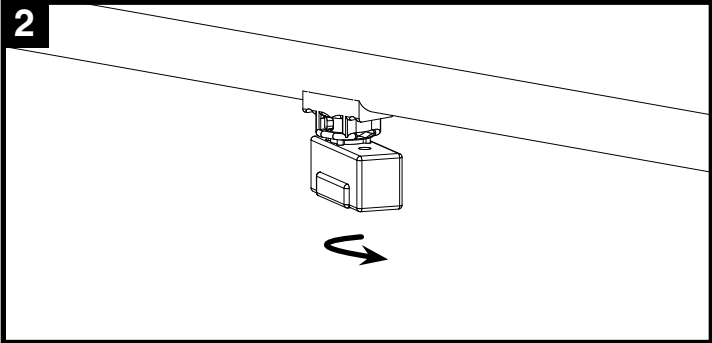
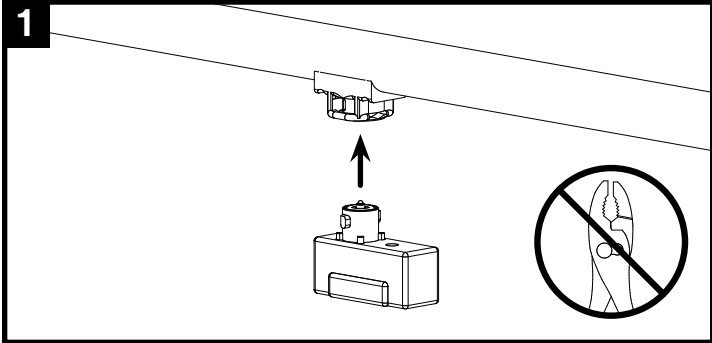


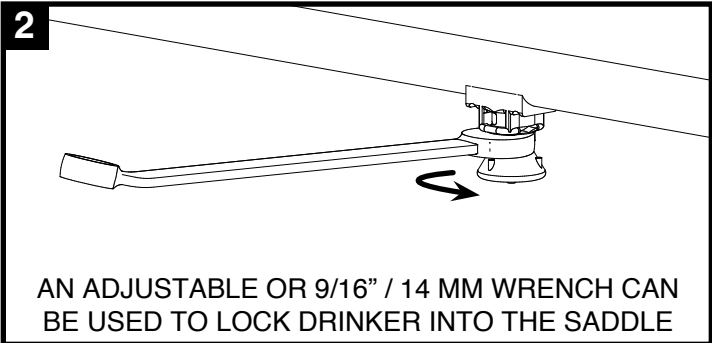
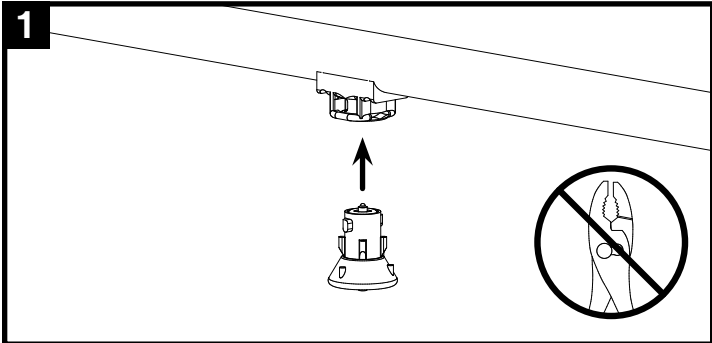
DRINKER INSTALLATION

ALL MODELS

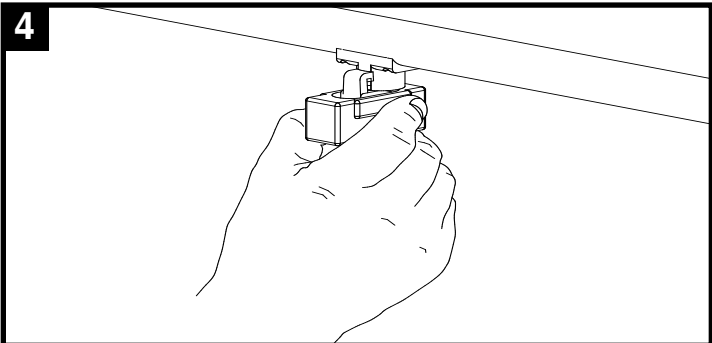
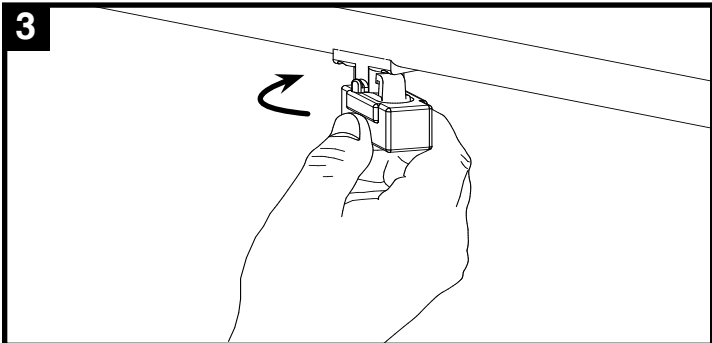
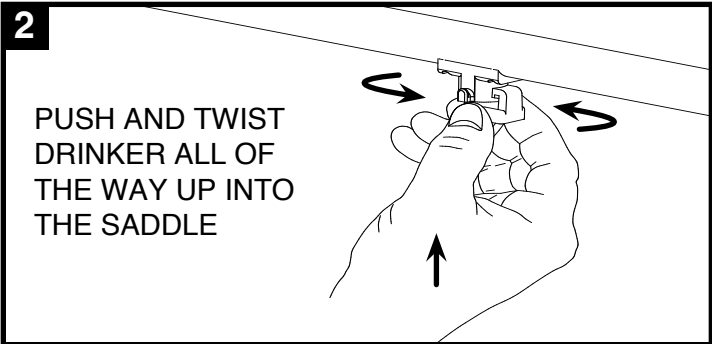
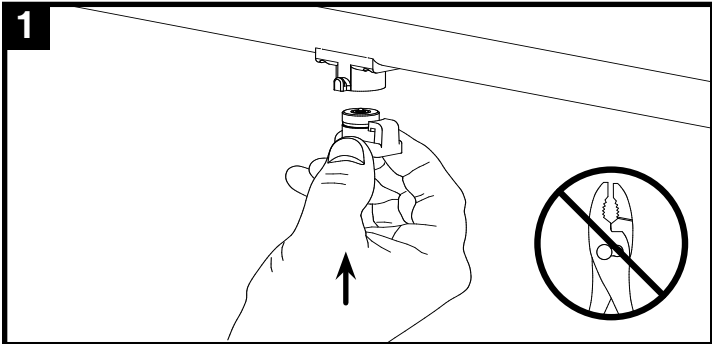
TWIN LOCK



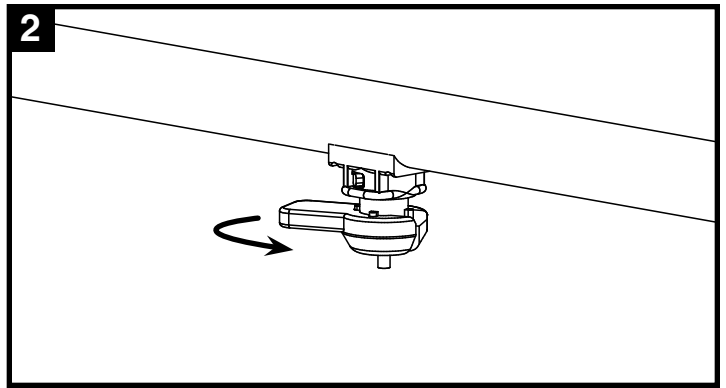
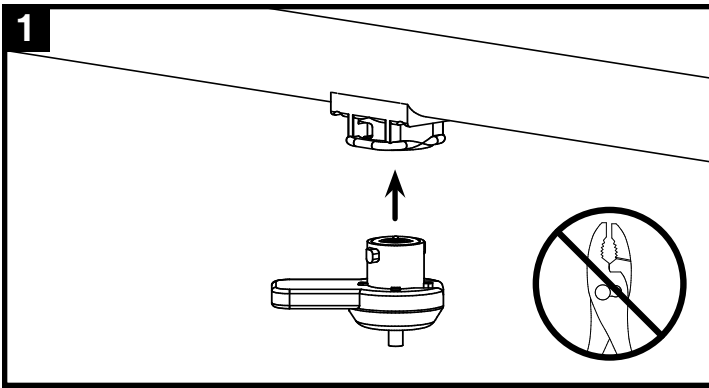
TWIN LOCK SHIELDED



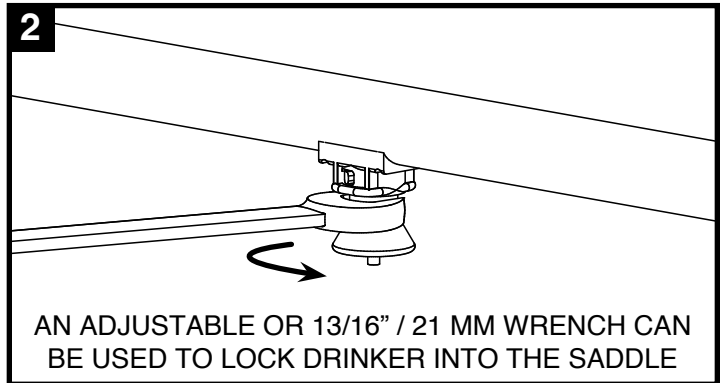
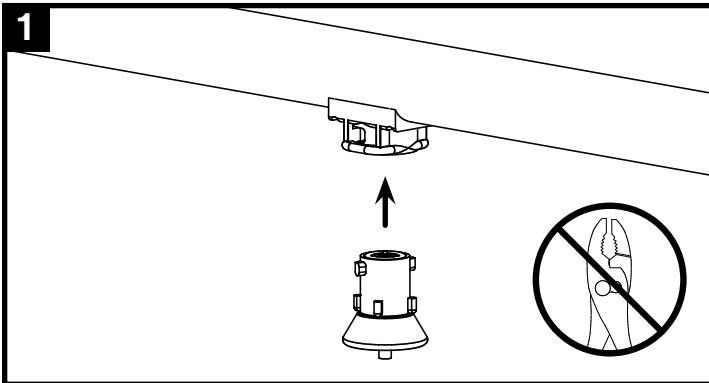
AKTIVE



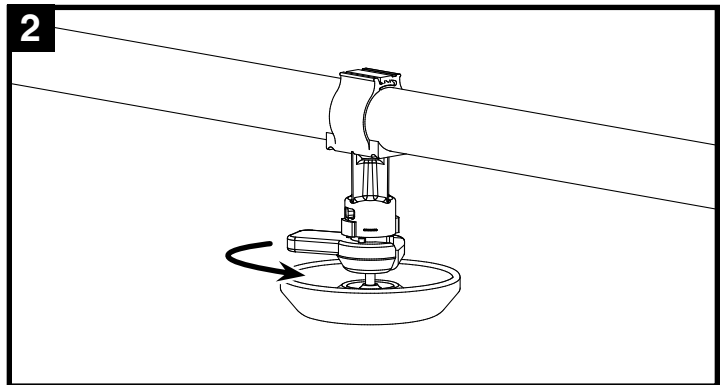
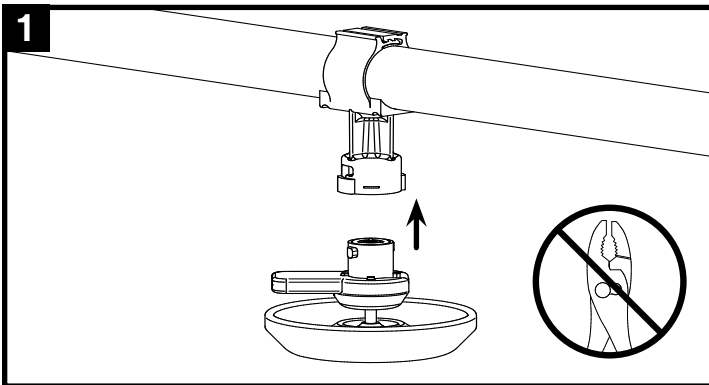
BIG Z



BIG Z SHIELDED



ACTIVATOR



T-MAX

