
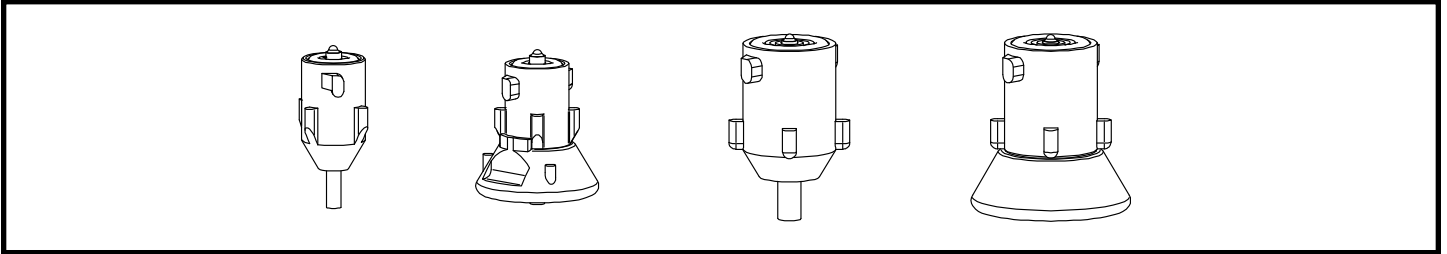


METERING PIN REMOVAL / INSTALLATION

For instructions on how to replace metering pins () in Ziggity Drinkers first determine the drinker type and then go to Ziggity's web page (www.ziggity.com) and type in the corresponding GL number in the search field.

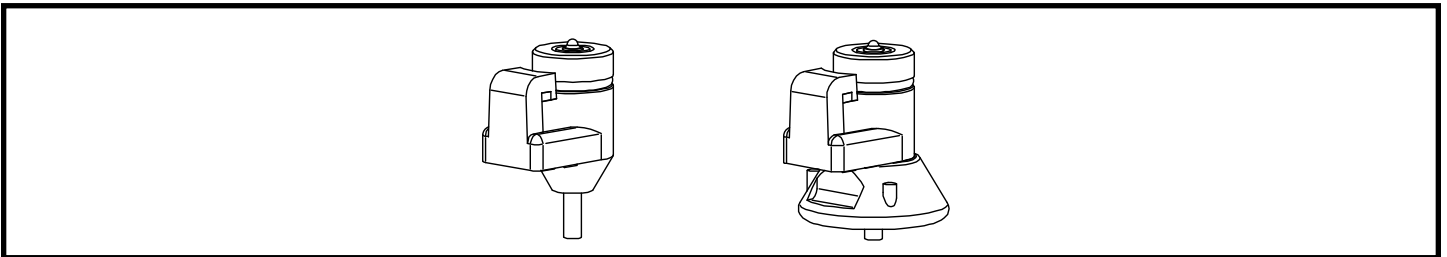
TL & BIG Z

SEE GL1028



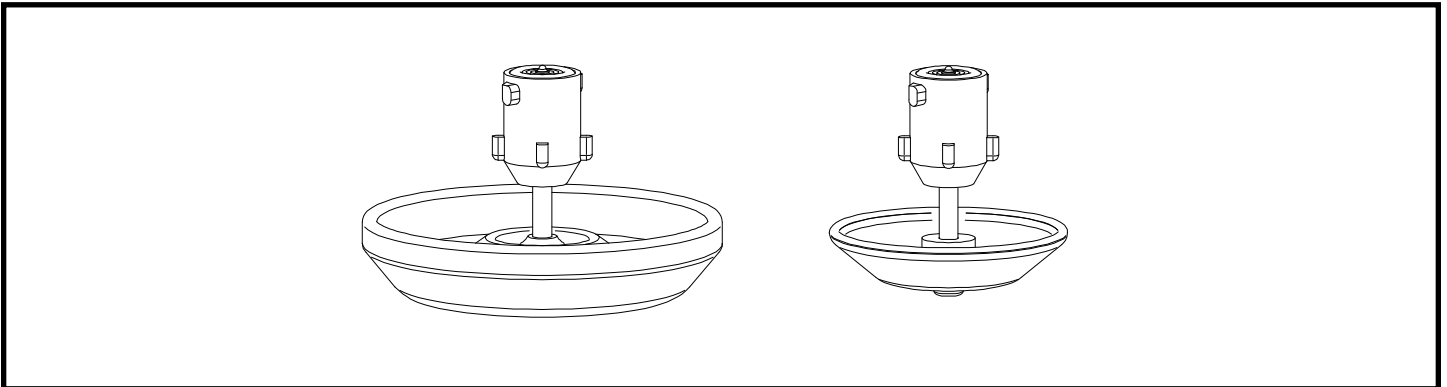
AKTIVE

SEE GL1029



ACTIVATOR

SEE GL1059



T-MAX

SEE GL1078

