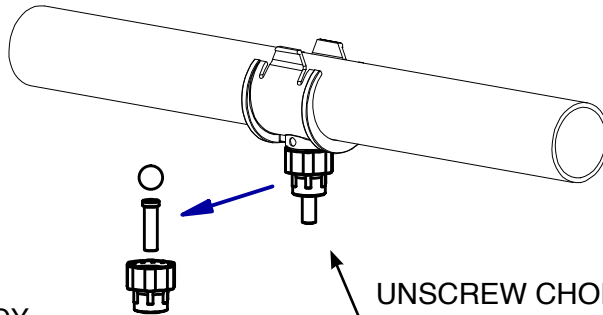


CHORE-TIME[®] SADDLE ADAPTER TO TL DRINKER

1

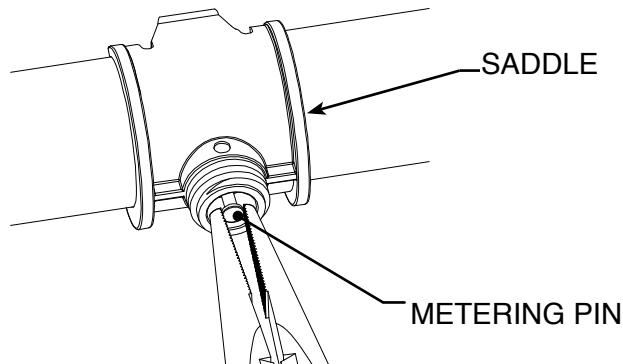
DISCARD DRINKER BODY,
TRIGGER PIN AND BALL



UNSCREW CHORE-TIME
DRINKER FROM SADDLE

2

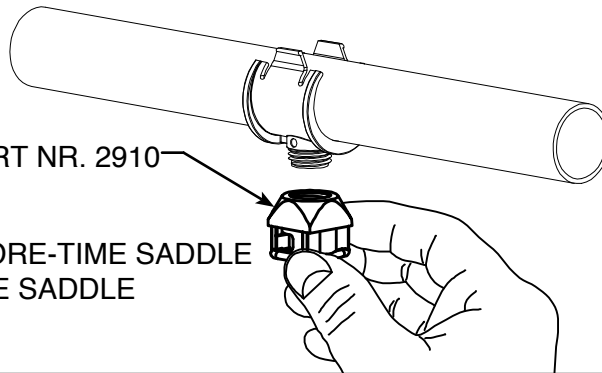
USING NEEDLE NOSE PLIERS
REMOVE METERING PIN FROM
UNDERSIDE OF SADDLE AND
DISCARD



3

HAND-TIGHTEN CHORE-TIME SADDLE
ADAPTER ONTO THE SADDLE

PART NR. 2910



4

INSERT DRINKER INTO
DRINKER TOOL AND
INSTALL INTO SADDLE

ORIENTATION OF
SADDLE ADAPTER
WILL VARY

