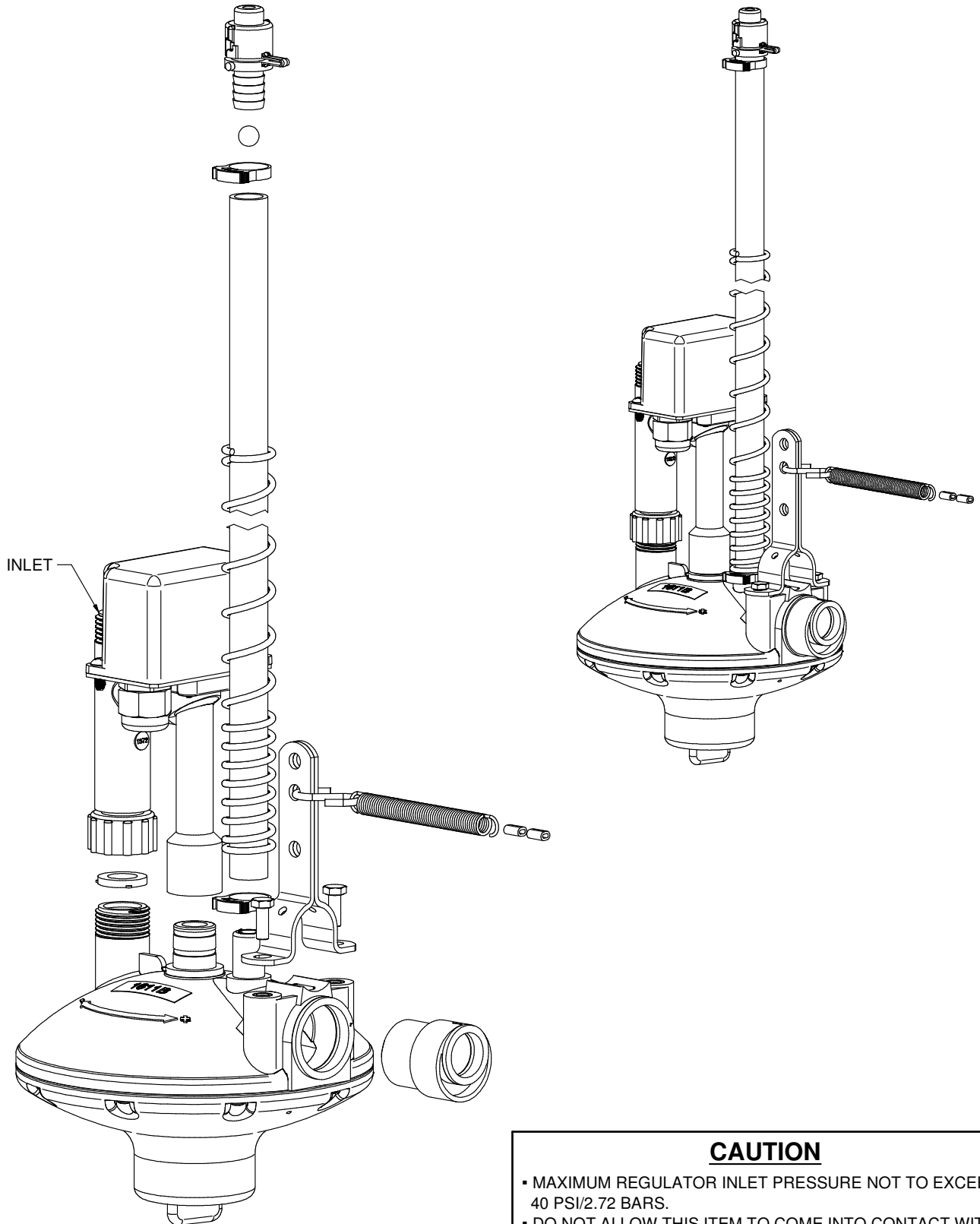


Assembly Instructions

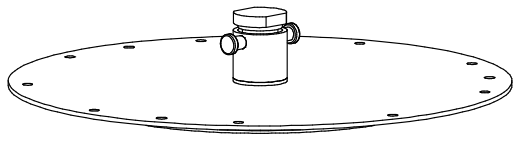
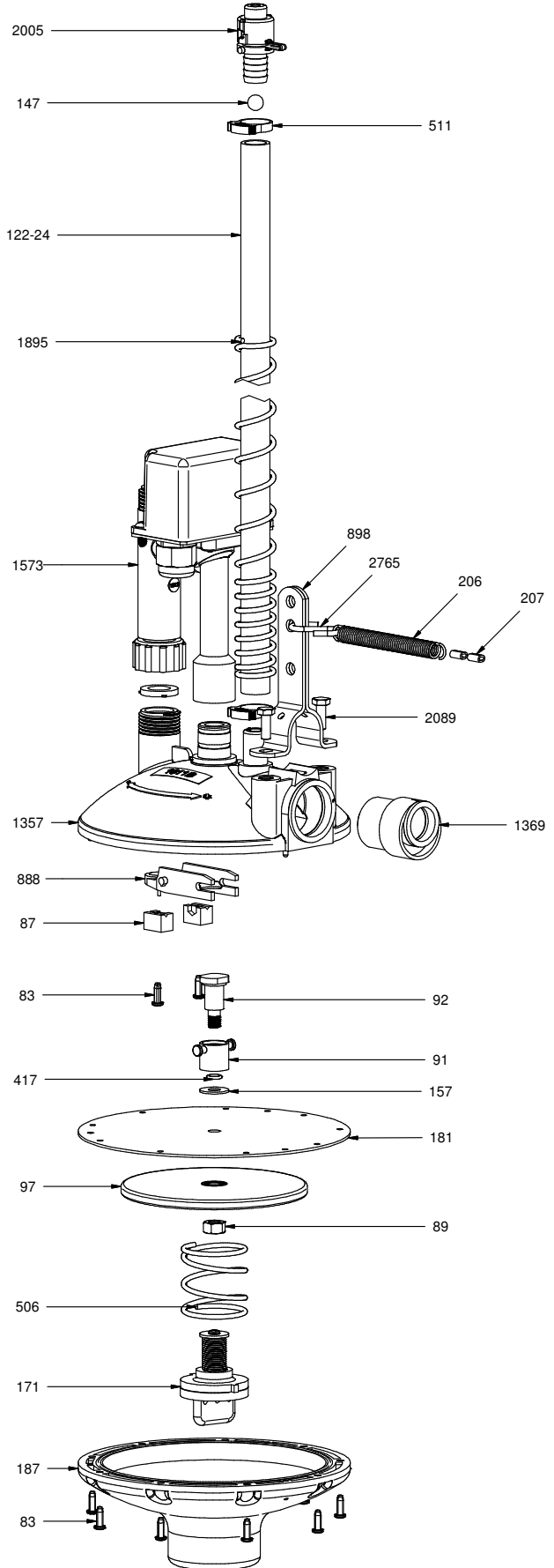


CAUTION

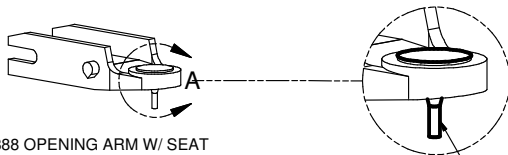
- MAXIMUM REGULATOR INLET PRESSURE NOT TO EXCEED 40 PSI/2.72 BARS.
- DO NOT ALLOW THIS ITEM TO COME INTO CONTACT WITH PETROLEUM, PHENOL OR ALDEHYDE BASED PRODUCTS OR ANY OTHER CORROSIVE PRODUCT IN GENERAL.

COMPONENTS

| PART NR. | QTY | DESCRIPTION |
|----------|-----|---|
| 122-24 | 1 | RISER TUBE: 24" / 60 CM |
| 1369 | 1 | ADAPTER: BIG ACE SPIGOT X ACE SLIP |
| 147 | 1 | BALL: RISER TUBE |
| 1573 | 1 | REGULATOR PART: SOLENOID FLUSH MHT INLET - 24 VAC |
| 1895 | 1 | SPRING: RISER TUBE |
| 2005 | 1 | RISER TUBE CAP |
| 206 | 1 | SPRING: ANTI-ROOST |
| 207 | 2 | CLIP: ANTI-ROOST CABLE |
| 2089 | 2 | FASTENER: BOLT HEX HD M6 X 1 X 16 LG |
| 1357 | 1 | REGULATOR PART: INLET/OUTLET HOUSING - FLOOR |
| 171 | 1 | REGULATOR PART: ADJUSTMENT KNOB ASSEMBLY - STANDARD |
| 187 | 1 | REGULATOR PART: ADJUSTMENT HOUSING - STANDARD & INLINE |
| 157 | 1 | WASHER: METAL - 5/16" ID X 3/4" OD X 0.044" TH |
| 181 | 1 | REGULATOR PART: DIAPHRAGM - STANDARD |
| 417 | 1 | O-RING: 6.40MM ID X 10.21MM OD X 1.90MM CS |
| 89 | 1 | FASTENER: NUT HEX 5/16"-18 X 1/2" WD X 17/64" H |
| 91 | 1 | REGULATOR PART: SWIVEL COUPLING - STANDARD |
| 92 | 1 | REGULATOR PART: SHOULDER BOLT - STANDARD |
| 97 | 1 | REGULATOR PART: DIAPHRAGM BACKING PLATE - STANDARD |
| 506 | 1 | REGULATOR PART: SPRING 0.05 - 1 PSI |
| 83 | 11 | FASTENER: SCREW PAN HD PHILLIPS #7 - 18 X 1/2" LG - PLASTITE THREAD |
| 87 | 2 | REGULATOR PART: RETAINER BLOCK - STANDARD |
| 888 | 1 | REGULATOR PART: OPENING ARM W/ SEAT |
| 2765 | 1 | S-HOOK: ANTI-ROOST CABLE ANCHOR |
| 511 | 2 | CLAMP: SNAP 0.746" - 0.848" DIA. - BLACK |
| 898 | 1 | CLAMP: SUPPORT PIPE TO FLOOR REGULATOR |



301 DIAPHRAGM ASSEMBLY - STANDARD



888 OPENING ARM W/ SEAT

88-V CAN BE PURCHASED SEPARATELY

P.O. Box 1169
 101 Industrial Parkway
 Middlebury, Indiana
 46540-1169, USA
 Tel: + 1 574.825.5849
 Fax: + 1 574.825.7674
 Web: www.ziggity.com