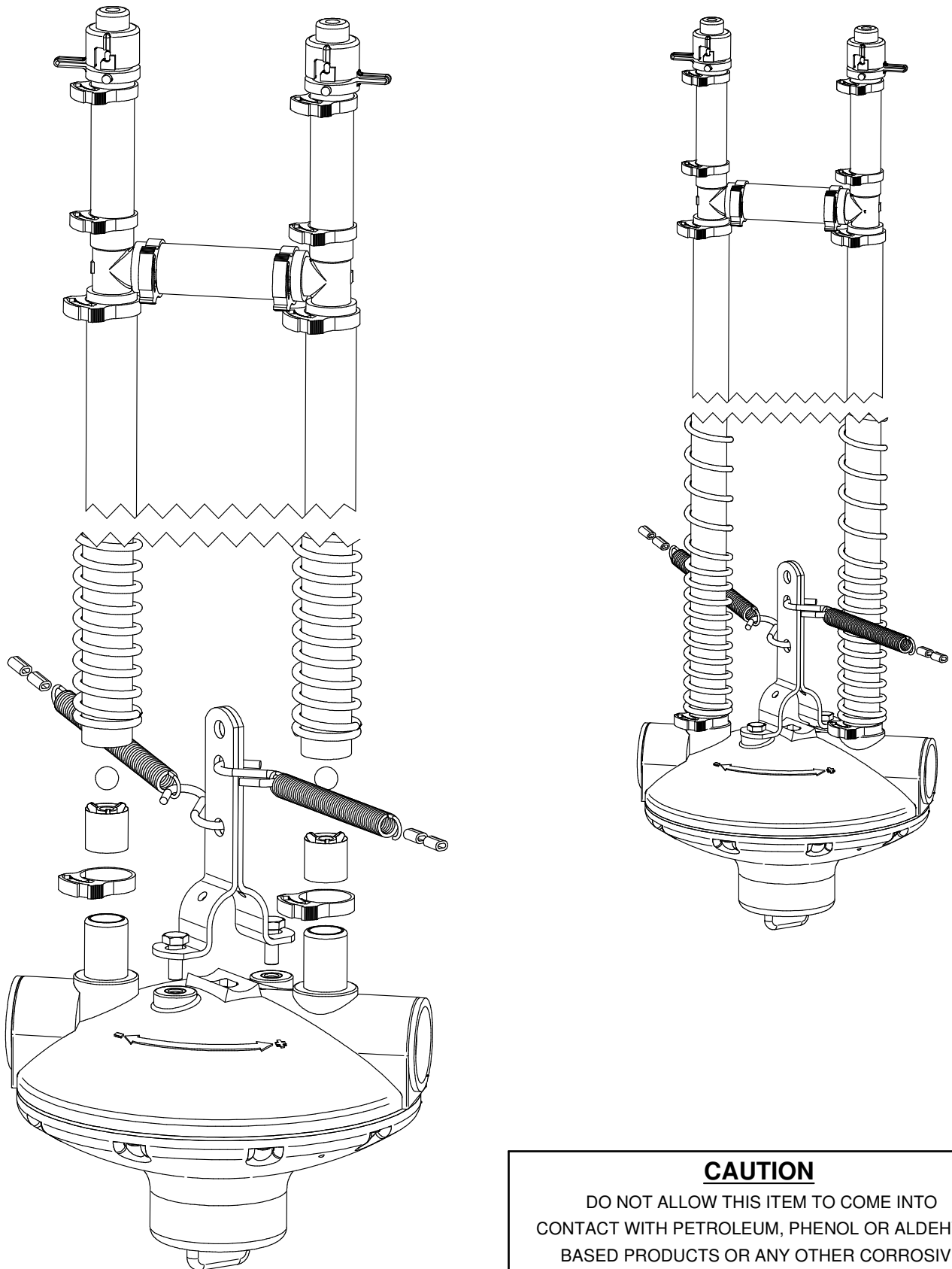


Assembly Instructions

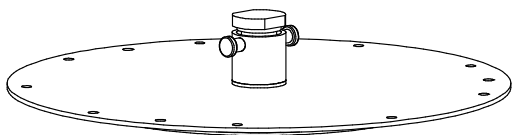
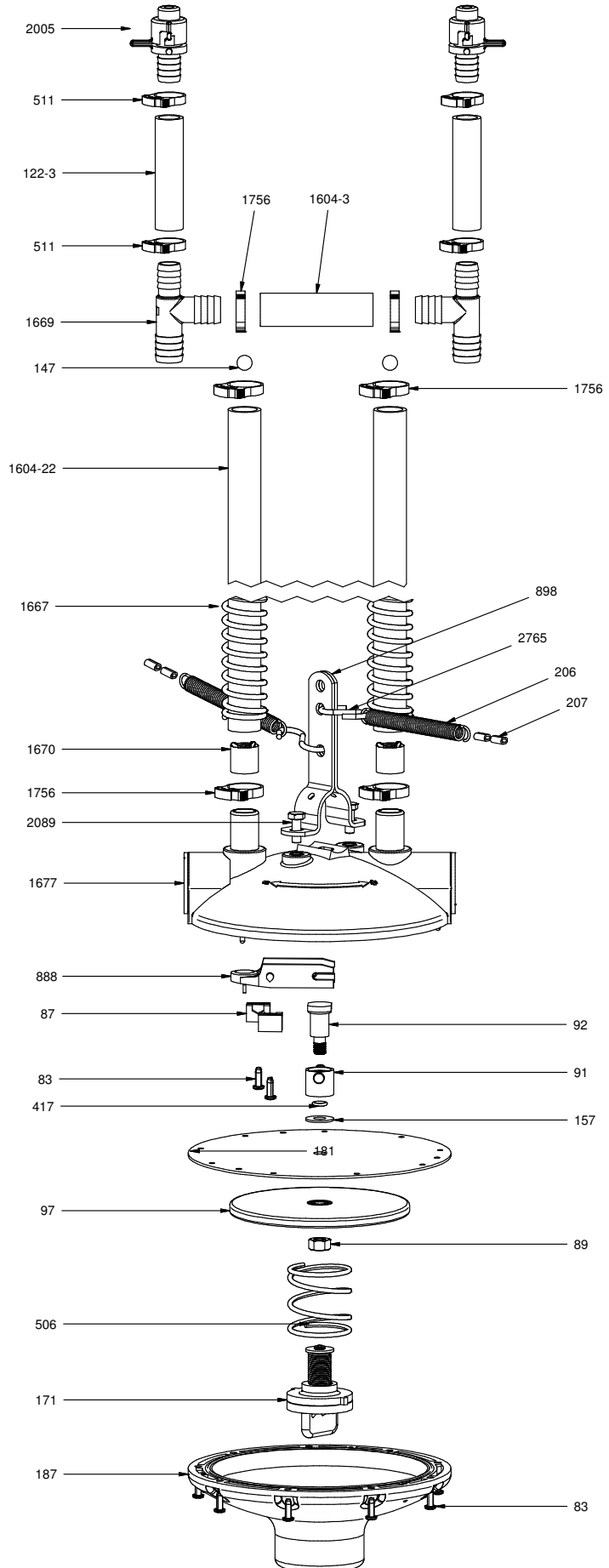


CAUTION

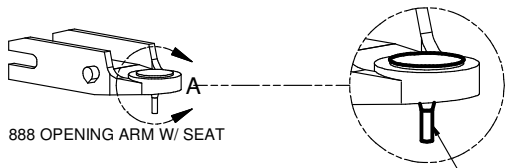
DO NOT ALLOW THIS ITEM TO COME INTO CONTACT WITH PETROLEUM, PHENOL OR ALDEHYDE BASED PRODUCTS OR ANY OTHER CORROSIVE PRODUCT IN GENERAL

COMPONENTS

PART NR.	QTY	DESCRIPTION
122-3	2	RISER TUBE: 3" / 8 CM
147	2	BALL: RISER TUBE
1604-22	2	REGULATOR PART: RISER TUBE SLOPE REGULATOR 22" / 56 CM
1604-3	1	REGULATOR PART: RISER TUBE SLOPE REGULATOR 3" / 7 CM
1667	2	REGULATOR PART: RISER TUBE SPRING - SLOPE REGULATOR
1669	2	REGULATOR PART: RISER TEE - SLOPE REGULATOR
1670	2	REGULATOR PART: BALL STOP - SLOPE REGULATOR
1677	1	REGULATOR PART: INLET/OUTLET HOUSING - SLOPE
171	1	REGULATOR PART: ADJUSTMENT KNOB ASSEMBLY - STANDARD
187	1	REGULATOR PART: ADJUSTMENT HOUSING - STANDARD & INLINE
157	1	WASHER: METAL - 5/16" ID X 3/4" OD X 0.044" TH
181	1	REGULATOR PART: DIAPHRAGM - STANDARD
417	1	O-RING: 6.40MM ID X 10.21MM OD X 1.90MM CS
89	1	FASTENER: NUT HEX 5/16"-18 X 1/2" WD X 17/64" H
91	1	REGULATOR PART: SWIVEL COUPLING - STANDARD
92	1	REGULATOR PART: SHOULDER BOLT - STANDARD
97	1	REGULATOR PART: DIAPHRAGM BACKING PLATE - STANDARD
506	1	REGULATOR PART: SPRING 0.05 - 1 PSI
83	11	FASTENER: SCREW PAN HD PHILLIPS #7 - 18 X 1/2" LG - PLASTITE THREAD
87	2	REGULATOR PART: RETAINER BLOCK - STANDARD
888	1	REGULATOR PART: OPENING ARM W/ SEAT
1756	6	CLAMP: SNAP 0.859" - 0.989" DIA. - WHITE
2005	2	RISER TUBE CAP
206	2	SPRING: ANTI-ROOST
207	4	CLIP: ANTI-ROOST CABLE
2089	2	FASTENER: BOLT HEX HD M6 X 1 X 16 LG
2765	2	S-HOOK: ANTI-ROOST CABLE ANCHOR
511	4	CLAMP: SNAP 0.746" - 0.848" DIA. - BLACK
898	1	CLAMP: SUPPORT PIPE TO FLOOR REGULATOR



301 DIAPHRAGM ASSEMBLY - STANDARD



888 OPENING ARM W/ SEAT

88-V CAN BE
PURCHASED
SEPARATELY



P.O. Box 1169
101 Industrial Parkway
Middlebury, Indiana
46540-1169, USA
Tel: + 1 574.825.5849
Fax: + 1 574.825.7674
Web: www.ziggity.com