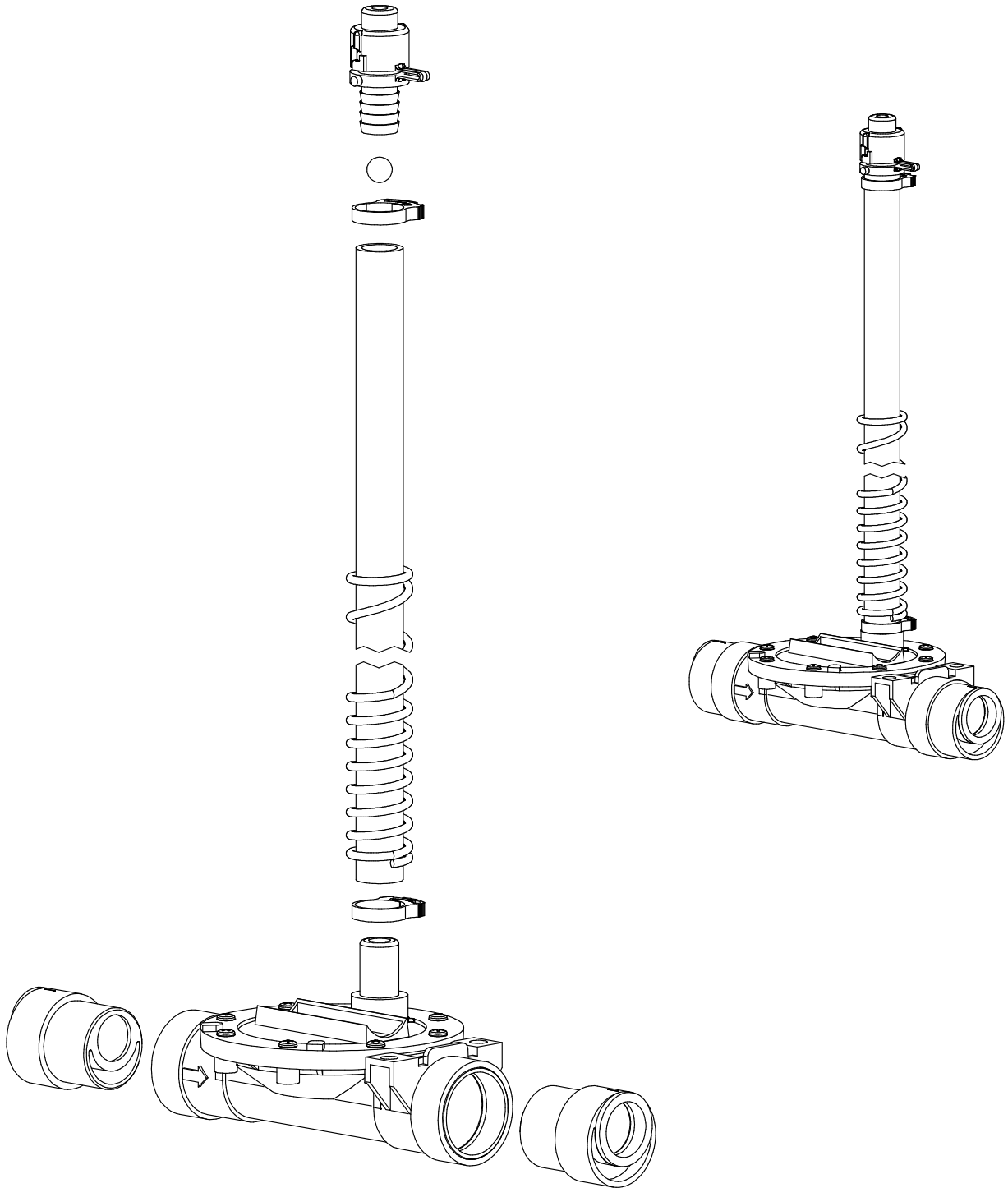


Assembly Instructions

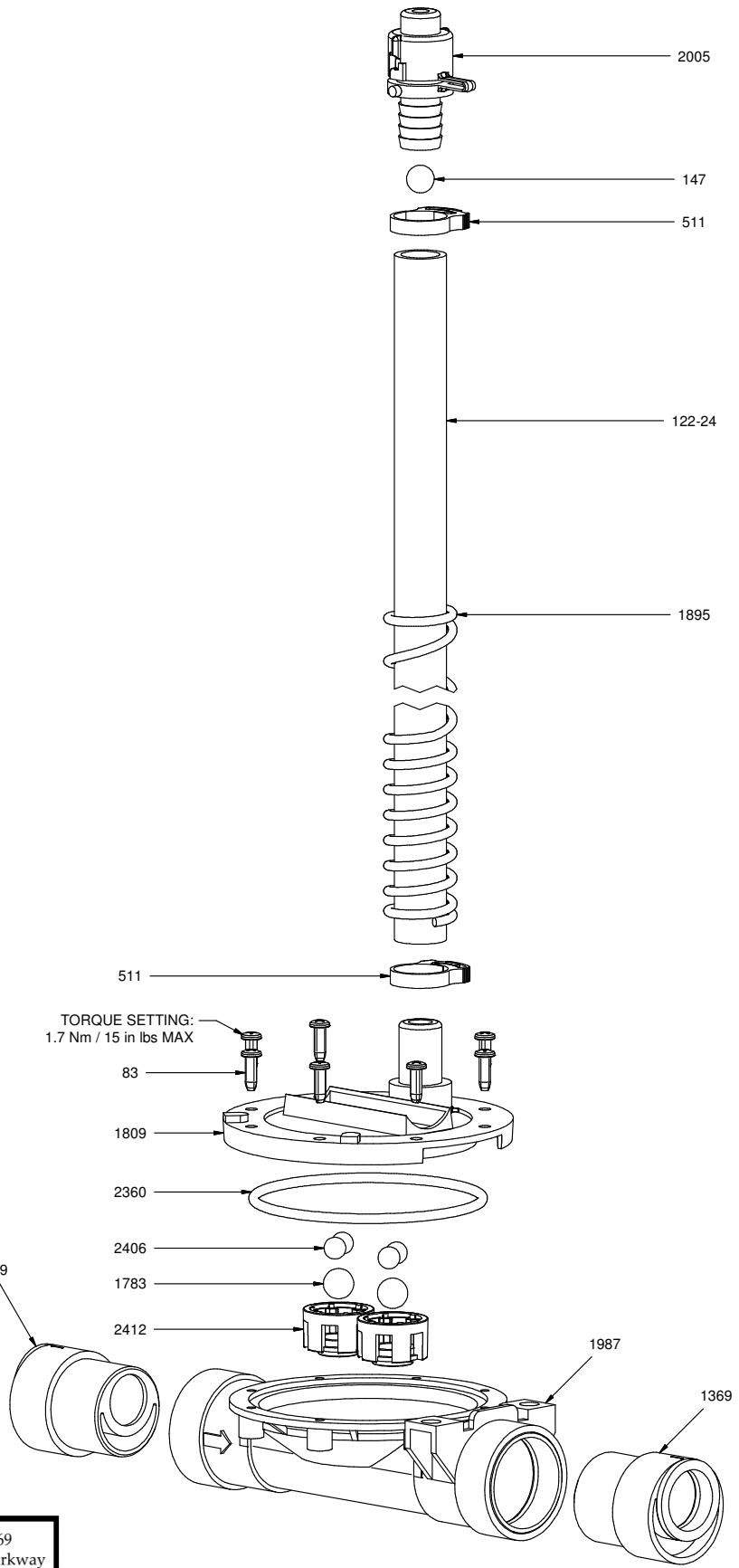
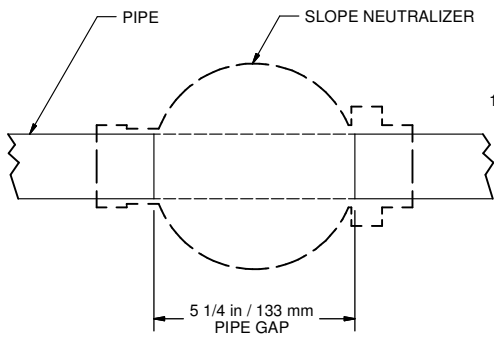
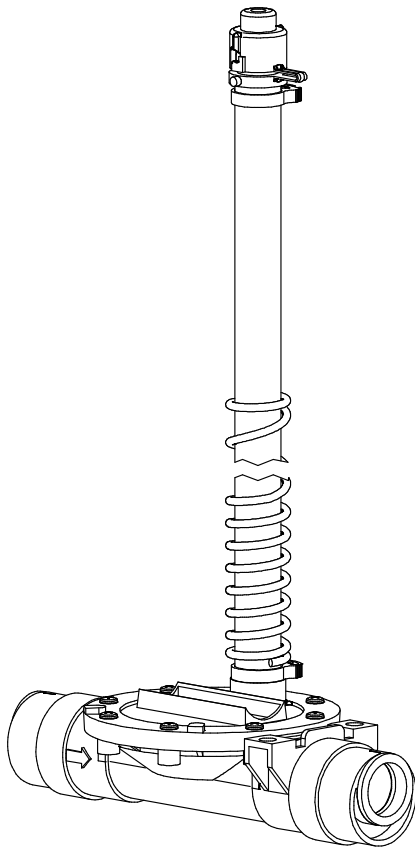


CAUTION

DO NOT ALLOW THIS ITEM TO COME INTO CONTACT WITH PETROLEUM, PHENOL OR ALDEHYDE BASED PRODUCTS OR ANY OTHER CORROSIVE PRODUCT IN GENERAL

COMPONENTS

PART NR.	QTY	DESCRIPTION
122-24	1	RISER TUBE: 24" / 60 CM
1369	2	ADAPTER: BIG ACE SPIGOT X ACE SLIP
147	1	BALL: RISER TUBE
1895	1	SPRING: RISER TUBE
1783	2	DRINKER PART: BALL - 7/16" BIG Z
1809	1	SLOPE NEUTRALIZER PART: TOP
1987	1	SLOPE NEUTRALIZER PART: BODY
2360	1	O-RING: 3.161" ID X 3.44" OD X 0.139" CS
2406	4	SLOPE NEUTRALIZER PART: BALL - 8.0MM
2412	2	SLOPE NEUTRALIZER PART: BALL RETAINER
83	8	FASTENER: SCREW PAN HD PHILLIPS #7 - 18 X 1/2" LG - PLASTITE THREAD
2005	1	RISER TUBE CAP
511	2	CLAMP: SNAP 0.746" - 0.848" DIA. - BLACK



TORQUE SETTING:
1.7 Nm / 15 in lbs MAX



P.O. Box 1169
101 Industrial Parkway
Middlebury, Indiana
46540-1169, USA
Tel: + 1 574.825.5849
Fax: + 1 574.825.7674
Web: www.ziggity.com