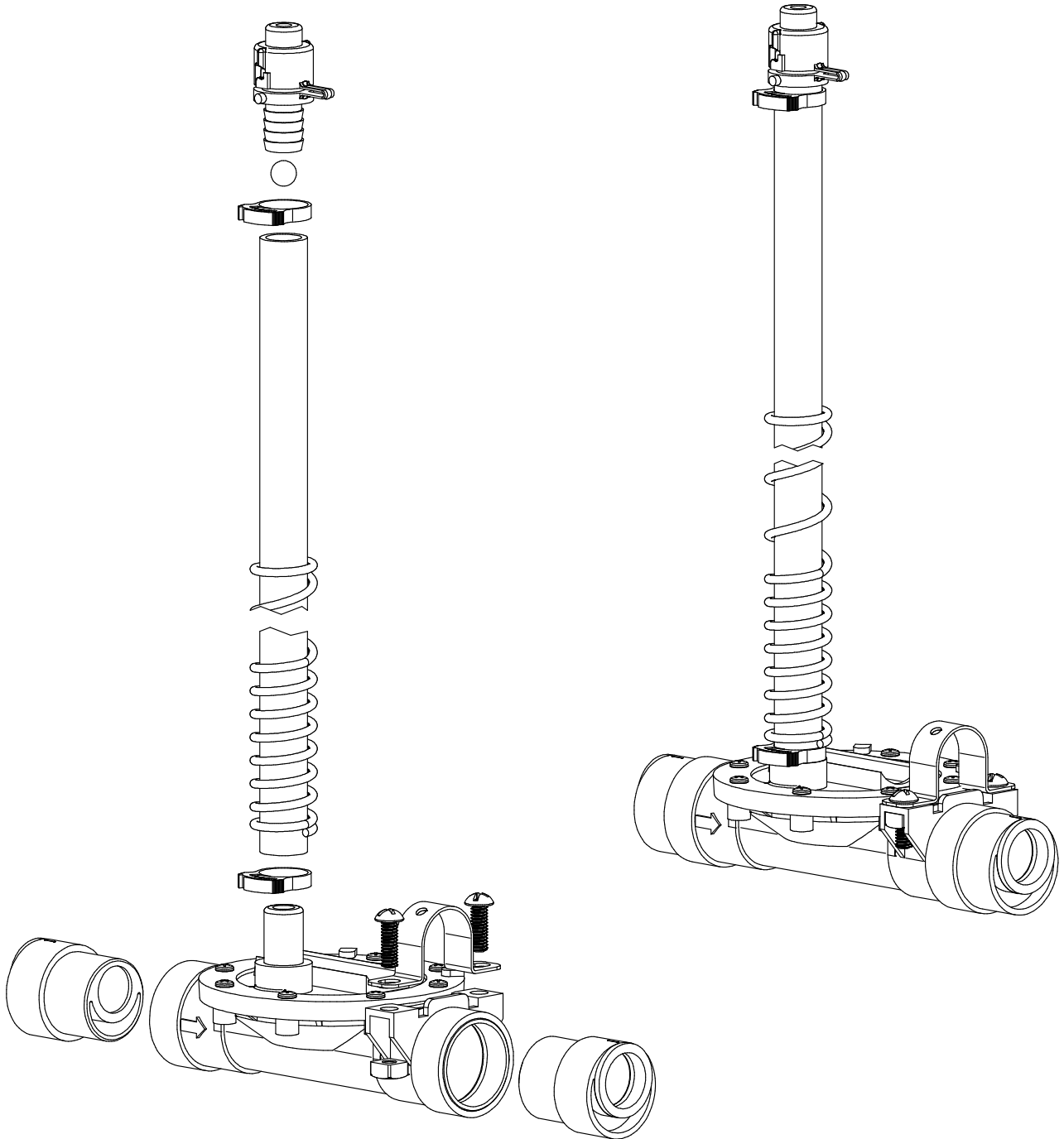


Assembly Instructions

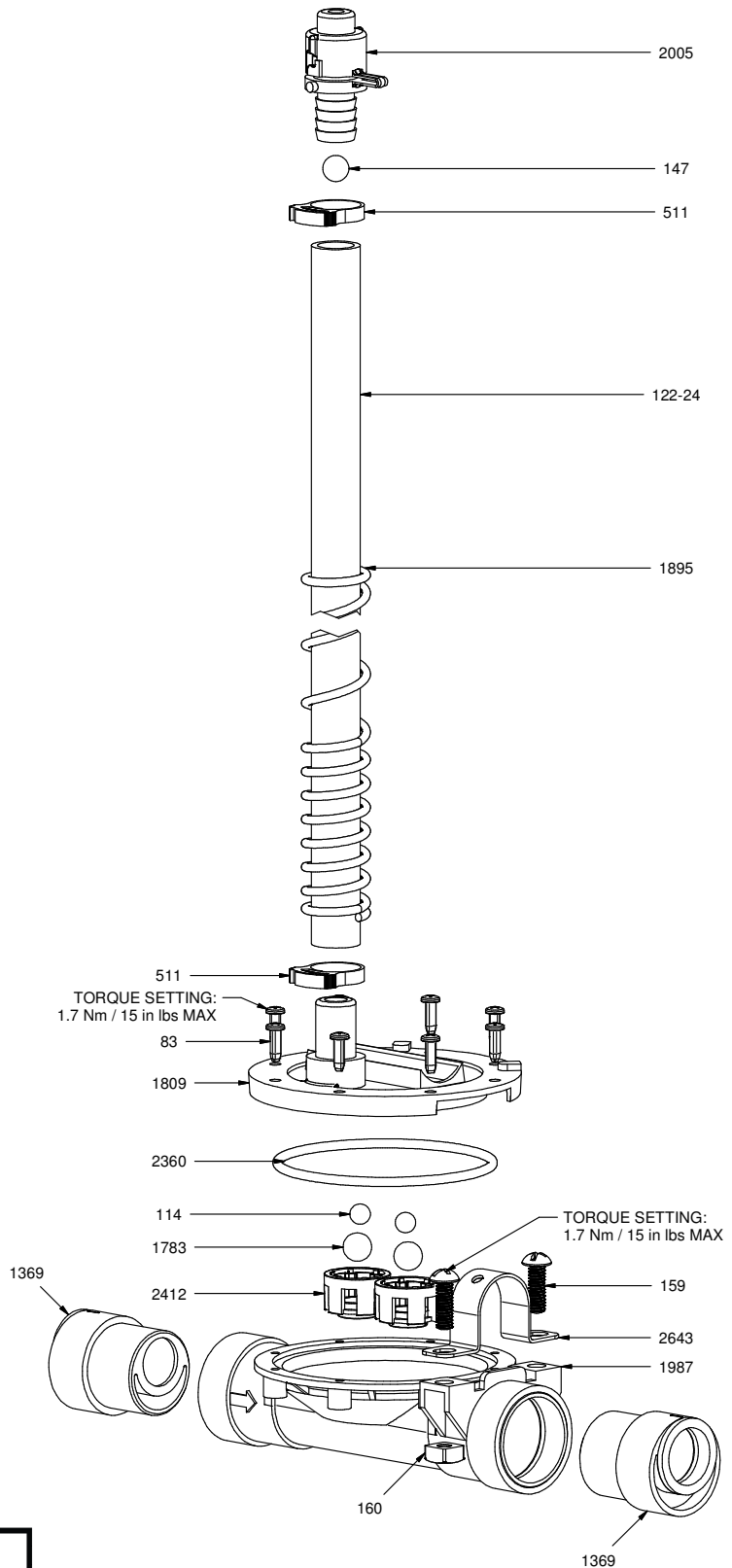
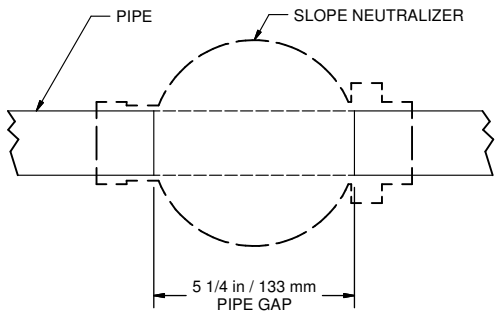
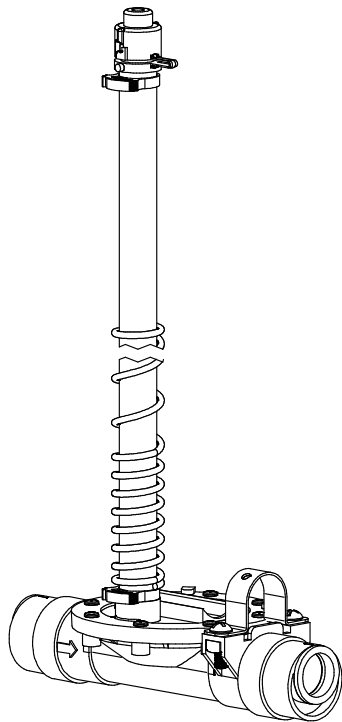


CAUTION

DO NOT ALLOW THIS ITEM TO COME INTO CONTACT WITH PETROLEUM, PHENOL OR ALDEHYDE BASED PRODUCTS OR ANY OTHER CORROSIVE PRODUCT IN GENERAL

COMPONENTS

PART NR.	QTY	DESCRIPTION
122-24	1	RISER TUBE: 24" / 60 CM
1369	2	ADAPTER: BIG ACE SPIGOT X ACE SLIP
147	1	BALL: RISER TUBE
159	2	FASTENER: SCREW PAN HD PHILLIPS 1/4" - 20 X 3/4" LG
160	2	FASTENER: NUT CROWN SQ 1/4" - 20 X 7/16" WD X 1/4" H
1895	1	SPRING: RISER TUBE
114	2	DRINKER PART: BALL - 5/16" EPDM & SS DRINKERS
1783	2	DRINKER PART: BALL - 7/16" BIG Z
1809	1	SLOPE NEUTRALIZER PART: TOP
1987	1	SLOPE NEUTRALIZER PART: BODY
2360	1	O-RING: 3.161" ID X 3.44" OD X 0.139" CS
2412	2	SLOPE NEUTRALIZER PART: BALL RETAINER
83	8	FASTENER: SCREW PAN HD PHILLIPS #7 - 18 X 1/2" LG - PLASTITE THREAD
2005	1	RISER TUBE CAP
2643	1	CLAMP: FLOOR NEUTRALIZER MOUNT
511	2	CLAMP: SNAP 0.746" - 0.848" DIA. - BLACK



Ziggy Systems, Inc.
 101 Industrial Parkway East
 Middlebury Indiana 46540-8549
 USA
 Tel: + 1 574.825.5849
 Fax: + 1 574.825.7674
 Web: www.ziggy.com