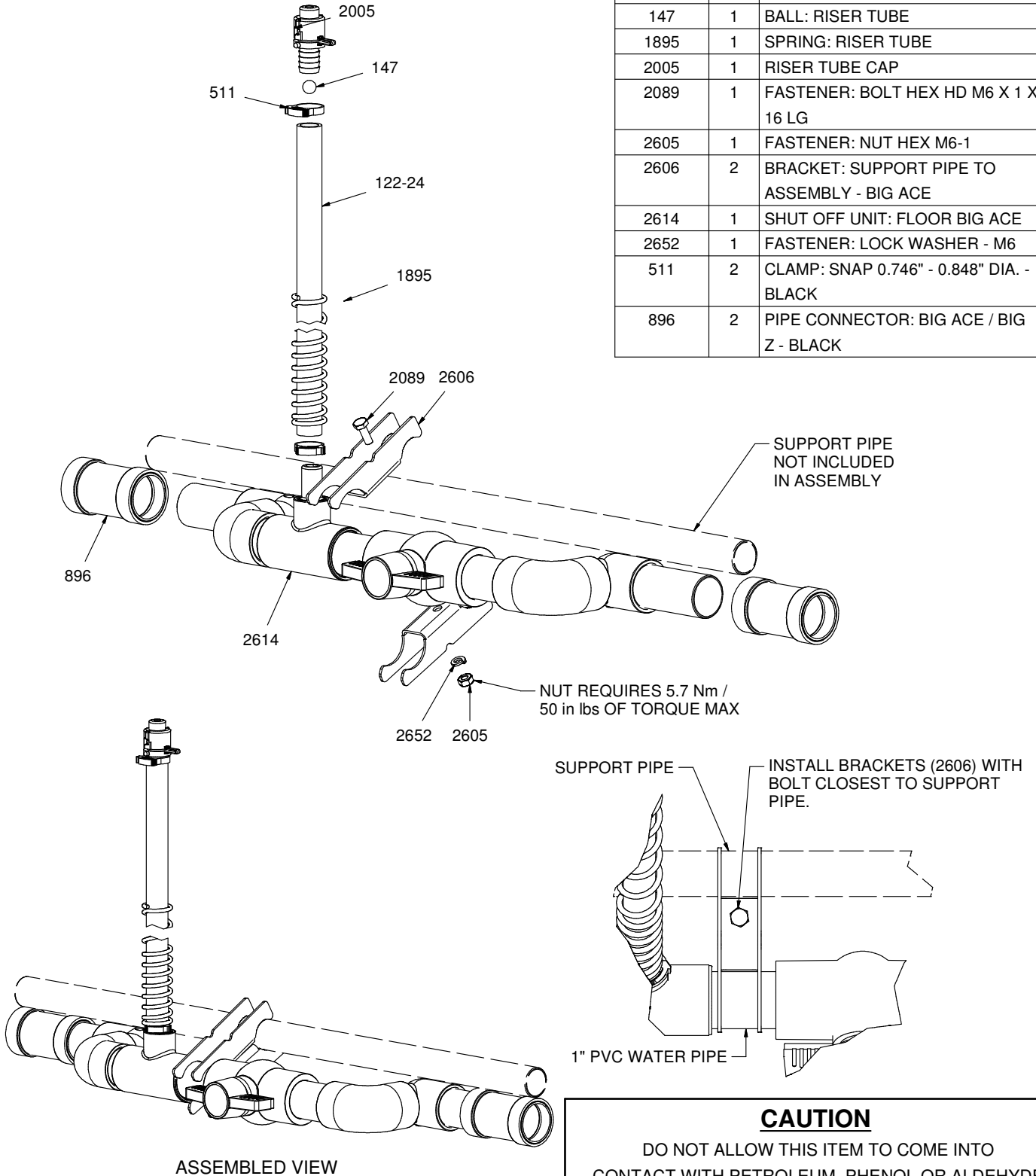


Assembly Instructions

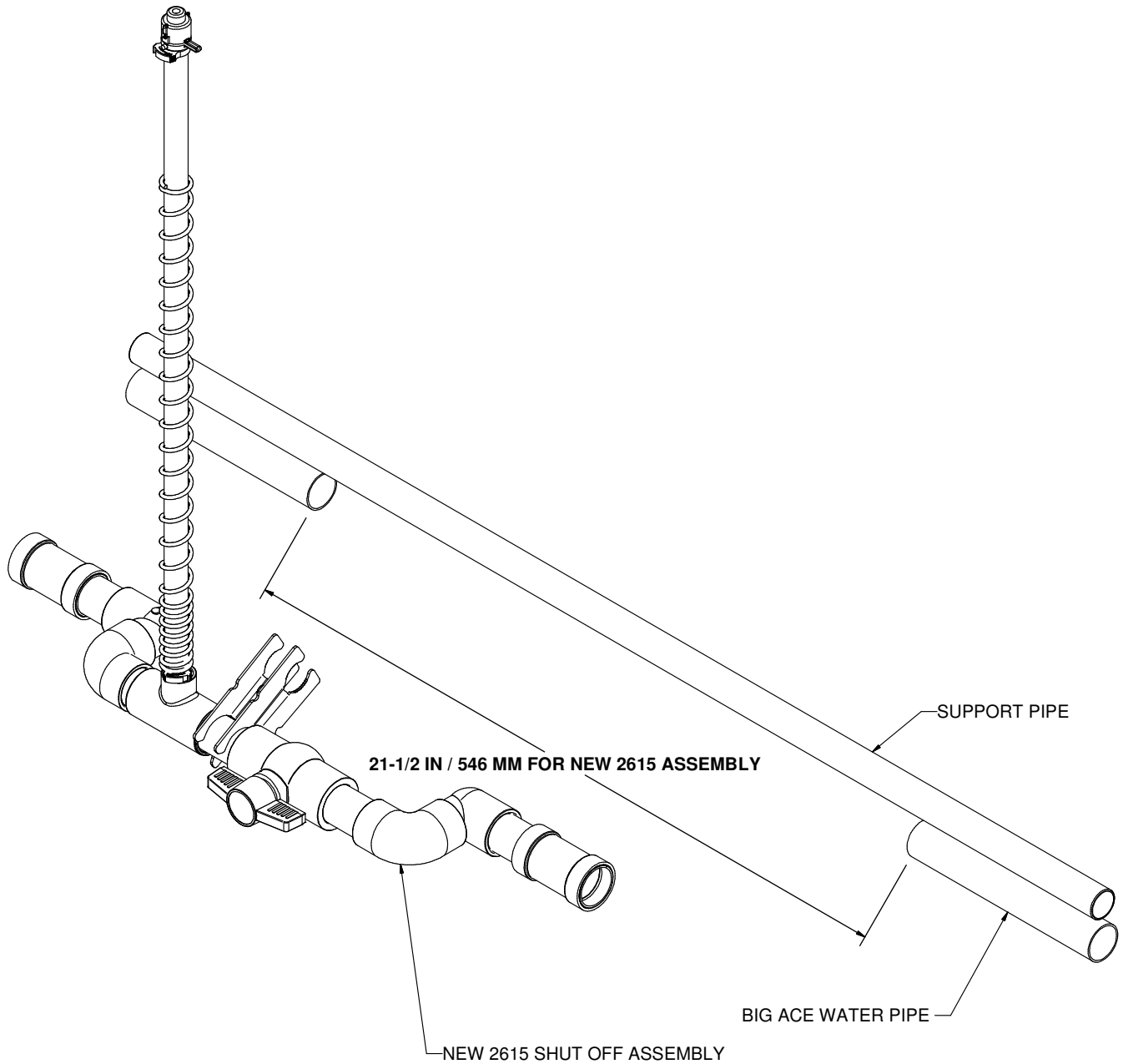
PART NR.	QTY	DESCRIPTION
122-24	1	RISER TUBE: 24" / 60 CM
147	1	BALL: RISER TUBE
1895	1	SPRING: RISER TUBE
2005	1	RISER TUBE CAP
2089	1	FASTENER: BOLT HEX HD M6 X 1 X 16 LG
2605	1	FASTENER: NUT HEX M6-1
2606	2	BRACKET: SUPPORT PIPE TO ASSEMBLY - BIG ACE
2614	1	SHUT OFF UNIT: FLOOR BIG ACE
2652	1	FASTENER: LOCK WASHER - M6
511	2	CLAMP: SNAP 0.746" - 0.848" DIA. - BLACK
896	2	PIPE CONNECTOR: BIG ACE / BIG Z - BLACK



CAUTION

DO NOT ALLOW THIS ITEM TO COME INTO CONTACT WITH PETROLEUM, PHENOL OR ALDEHYDE BASED PRODUCTS OR ANY OTHER CORROSIVE PRODUCT IN GENERAL

NEW INSTALLATION



ZIGGITY Z SYSTEMS INC.

P.O. Box 1169
101 Industrial Parkway
Middlebury, Indiana
46540-1169, USA
Tel: + 1 574.825.5849
Fax: + 1 574.825.7674
Web: www.ziggity.com