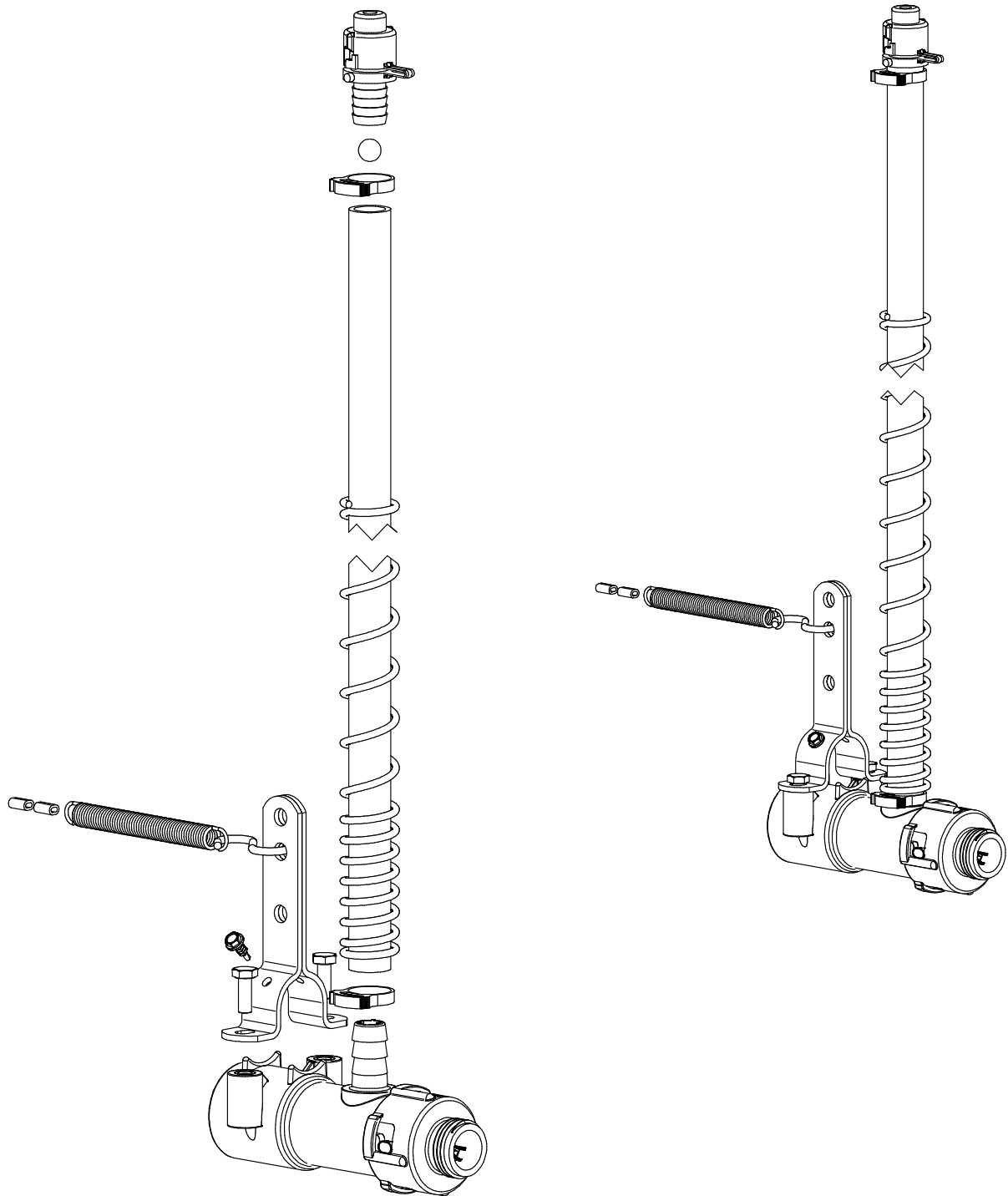


Assembly Instructions

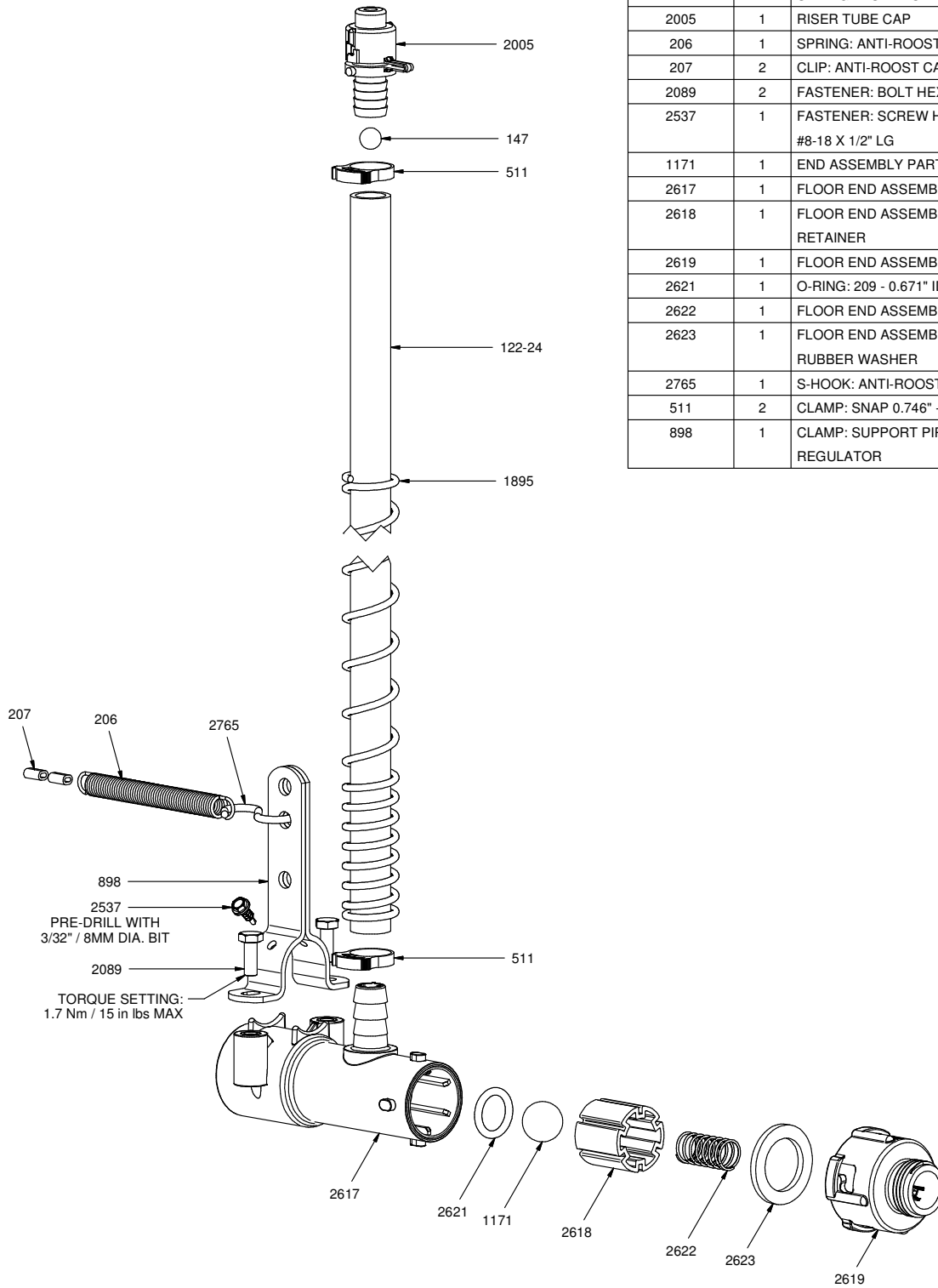


CAUTION

DO NOT ALLOW THIS ITEM TO COME INTO CONTACT WITH PETROLEUM, PHENOL OR ALDEHYDE BASED PRODUCTS OR ANY OTHER CORROSIVE PRODUCT IN GENERAL

COMPONENTS

PART NR.	QTY	DESCRIPTION
122-24	1	RISER TUBE: 24" / 60 CM
147	1	BALL: RISER TUBE
1895	1	SPRING: RISER TUBE
2005	1	RISER TUBE CAP
206	1	SPRING: ANTI-ROOST
207	2	CLIP: ANTI-ROOST CABLE
2089	2	FASTENER: BOLT HEX HD M6 X 1 X 16 LG
2537	1	FASTENER: SCREW HEX WHD SELF TAPPING #8-18 X 1/2" LG
1171	1	END ASSEMBLY PART: BALL
2617	1	FLOOR END ASSEMBLY PART: BODY
2618	1	FLOOR END ASSEMBLY PART: O-RING RETAINER
2619	1	FLOOR END ASSEMBLY PART: END CAP - MHT
2621	1	O-RING: 209 - 0.671" ID X 15/16" OD X 0.139" CS
2622	1	FLOOR END ASSEMBLY PART: SPRING
2623	1	FLOOR END ASSEMBLY PART: END CAP RUBBER WASHER
2765	1	S-HOOK: ANTI-ROOST CABLE ANCHOR
511	2	CLAMP: SNAP 0.746" - 0.848" DIA. - BLACK
898	1	CLAMP: SUPPORT PIPE TO FLOOR REGULATOR



P.O. Box 1169
 101 Industrial Parkway
 Middlebury, Indiana
 46540-1169, USA
 Tel: + 1 574.825.5849
 Fax: + 1 574.825.7674
 Web: www.ziggity.com