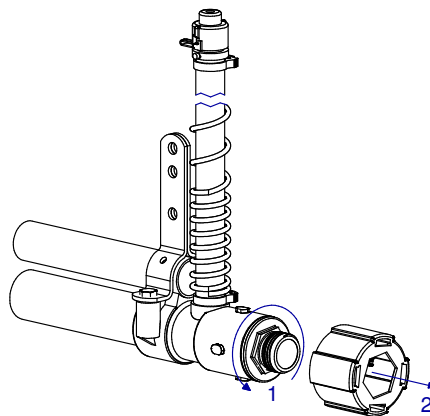


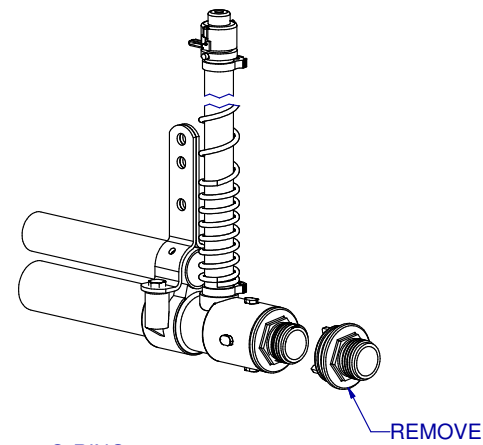
IF YOUR END ASSEMBLY LEAKS, DISCONNECT HOSE COUPLING FROM END ASSEMBLY

1

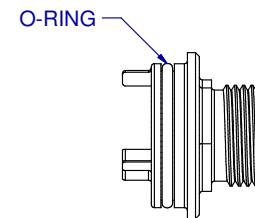


REMOVE FLOOR END ASSEMBLY CAP BY TURNING COUNTER CLOCK WISE AND PULL STRAIGHT BACK

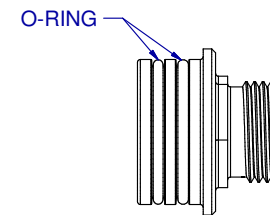
2



REMOVE



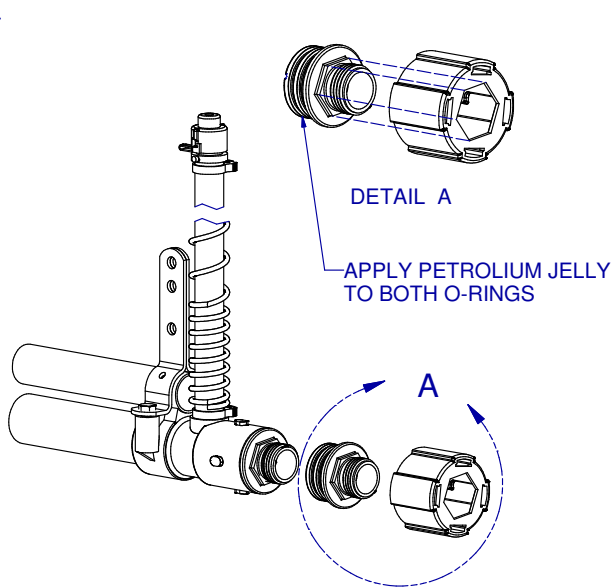
SINGLE O-RING ADAPTER



DOUBLE O-RING ADAPTER

REMOVE SINGLE O-RING ADAPTER OUTLET
ADD DUEL O-RING ADAPTER OUTLET

3



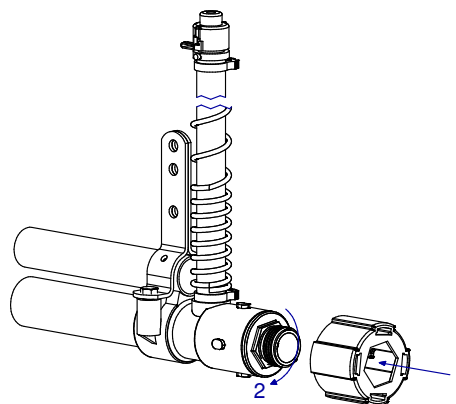
DETAIL A

APPLY PETROLIUM JELLY TO BOTH O-RINGS

A

APPLY PETROLIUM JELLY TO BOTH O-RINGS ON HOSE ADAPTER. INSERT MALE HOSE ADAPTER INTO END ASSEMBLY CAP. MAKE SURE THE MALE HEXAGON SHAPE ON THE MALE HOSE ADAPTER IS INSERTED PROPERLY INTO THE FEMALE HEXAGON IN THE END ASSEMBLY CAP

5



WITH THE MALE HOSE ADAPTER PROPERLY INSERTED INTO END ASSEMBLY CAP, NOW PLACE THEM ON END ASSEMBLY. PUSH STRAIGHT BACK AND TURN CLOCKWISE TILL YOU HEAR "CLICK"



REPLACEMENT: END ASSEMBLY MALE HOSE ADAPTER OUTLET

PART NR.:

GL1016

DATE: 07-09-02

REVISION: 1