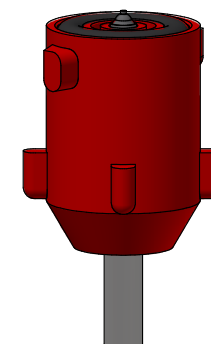
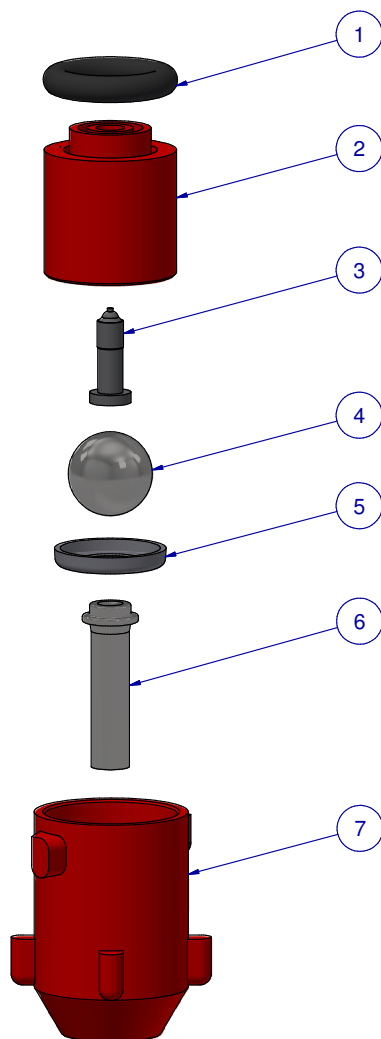


ITEM	PART NR.	QTY	DESCRIPTION
1	47-205	1	O-RING: 205 - 0.421" ID X 11/16" OD X 0.139" CS
2	1792	1	DRINKER PART: CAP BIG Z - RED
3	2706	1	DRINKER PART: METERING PIN - GRAY
4	1783	1	DRINKER PART: BALL - 7/16" BIG Z
5	1782	1	DRINKER PART: SEAT STAINLESS - 7/16" BALL
6	2441	1	DRINKER PART: TRIGGER PIN LONG - BIG Z
7	1482	1	DRINKER PART: BODY BIG Z



DRINKER: BIG Z - LP3

PART NR.:

DATE: 12-20-00

REVISION: 5

1505