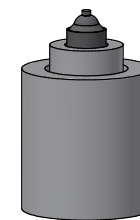
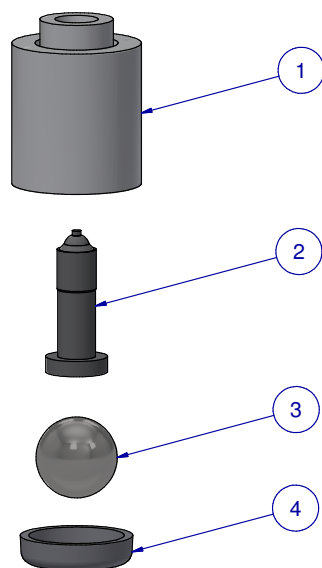


SCALE: 150%

ITEM	PART NR.	QTY	DESCRIPTION
1	1766	1	DRINKER PART: CAP TL - WHITE
2	2706	1	DRINKER PART: METERING PIN - GRAY
3	1764	1	DRINKER PART: BALL - 9/32" TL & AKTIVE
4	1765	1	DRINKER PART: SEAT STAINLESS - TL & AKTIVE



DRINKER PART: CAPSULE TL - GRAY / WHITE

PART NR.:

DATE: 11-13-01

REVISION: 3

1959