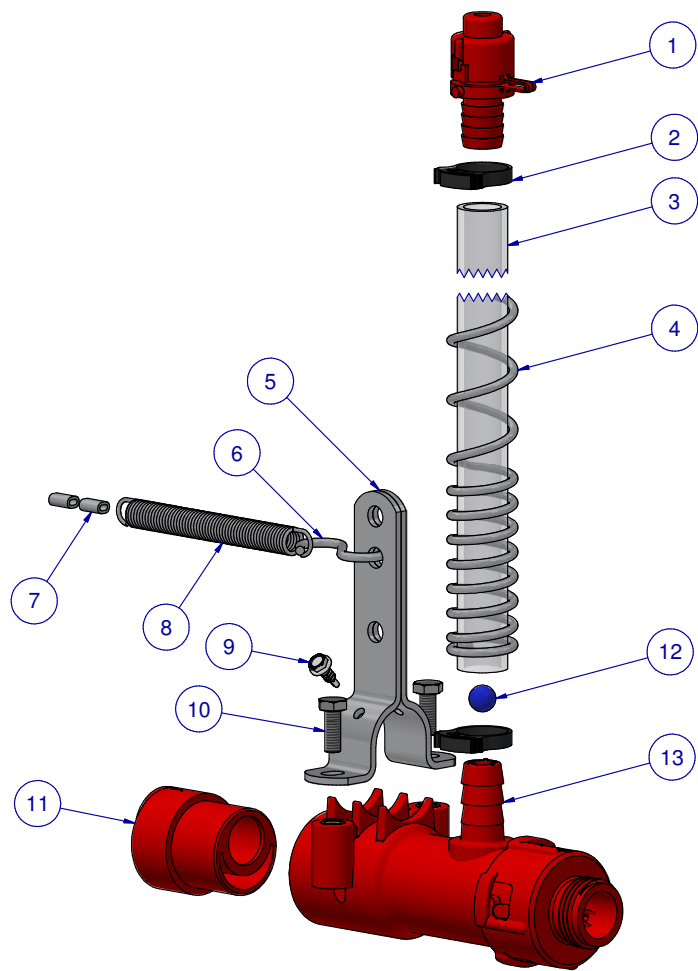
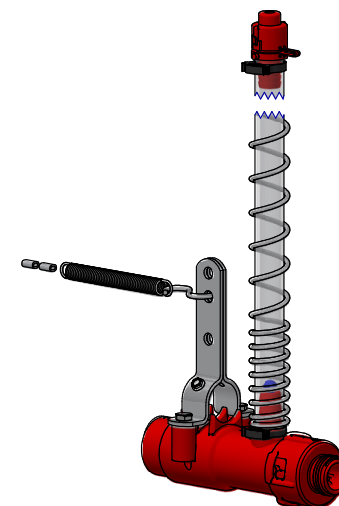


END ASSEMBLY KEY:

- CLASSIC** = END ASSEMBLY WITH RISER
- NUVO** = END ASSEMBLY WITHOUT RISER
- NAV** = NORTH AMERICAN VERSION "MHT"
- IV** = INTERNATIONAL VERSION "3/4" NPT"
- APA** = ACE PIPE ADAPTER



ITEM	PART NR.	QTY	DESCRIPTION
1	2005	1	RISER TUBE CAP
2	511	2	CLAMP: SNAP 0.746" - 0.848" DIA. - BLACK
3	122-24	1	RISER TUBE: 24" / 60 CM
4	1895	1	SPRING: RISER TUBE
5	898	1	CLAMP: SUPPORT PIPE TO FLOOR REGULATOR
6	2765	1	S-HOOK: ANTI-ROOST CABLE ANCHOR
7	207	2	CLIP: ANTI-ROOST CABLE
8	206	1	SPRING: ANTI-ROOST
9	2537	1	FASTENER: SCREW HEX WHD SELF TAPPING #8-18 X 1/2" LG
10	2089	2	FASTENER: BOLT HEX HD M6 X 1 X 16 LG
11	1369	1	ADAPTER: BIG ACE SPIGOT X ACE SLIP
12	147	1	BALL: RISER TUBE
13	2624	1	END ASSEMBLY PART: BASE SUB-ASSEMBLY - CLASSIC / NAV



FLOOR END ASSEMBLY: ACE X MHT OUTLET
 DATE: 02-11-14
 REVISION:

PART NR.:
 2931