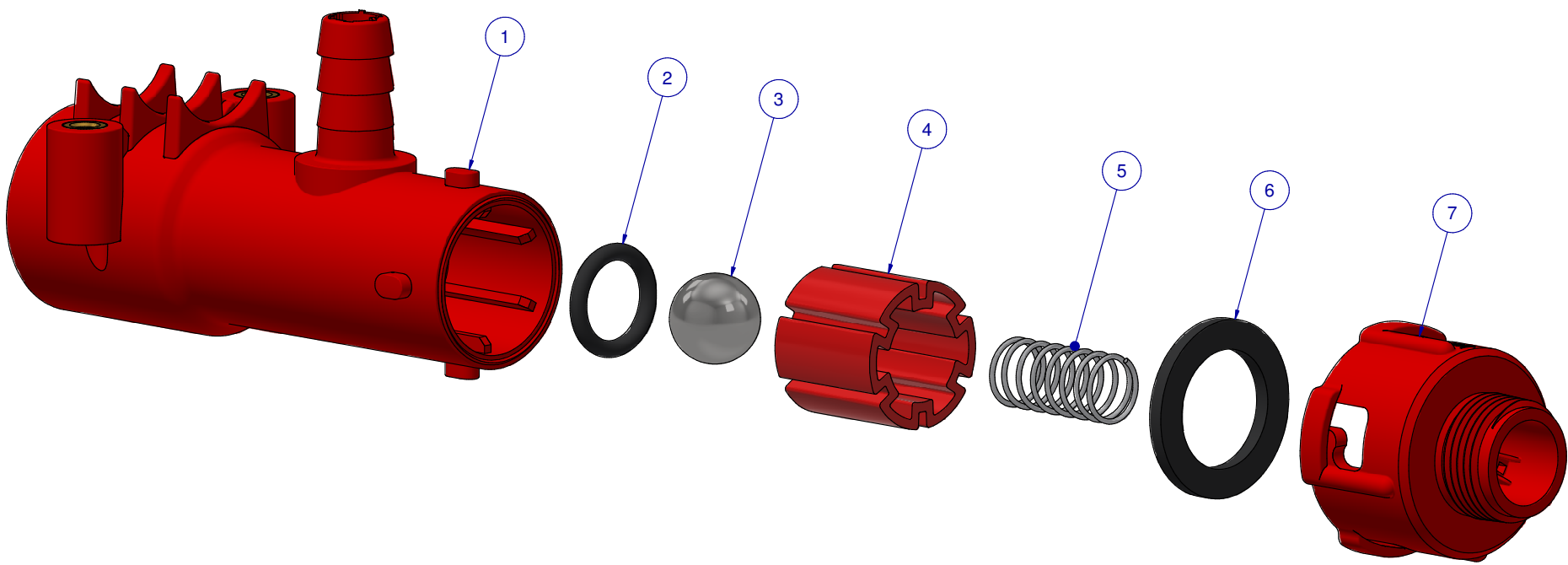


O-RING: PN 987  
INCLUDED IN ASSEMBLY

ITEM	PART NR.	QTY	DESCRIPTION
1	2617	1	END ASSEMBLY PART: BASE - CLASSIC
2	2621	1	O-RING: 209 - 0.671" ID X 15/16" OD X 0.139" CS
3	1171	1	END ASSEMBLY PART: BALL
4	2618	1	FLOOR END ASSEMBLY PART: O-RING RETAINER
5	2622	1	FLOOR END ASSEMBLY PART: SPRING
6	2623	1	FLOOR END ASSEMBLY PART: END CAP RUBBER WASHER
7	2620	1	FLOOR END ASSEMBLY PART: END CAP - MNPT



END ASSEMBLY PART: BASE SUB-ASSEMBLY - CLASSIC / IV

PART NR.: 2625

DATE: 04-04-05

REVISION: 1