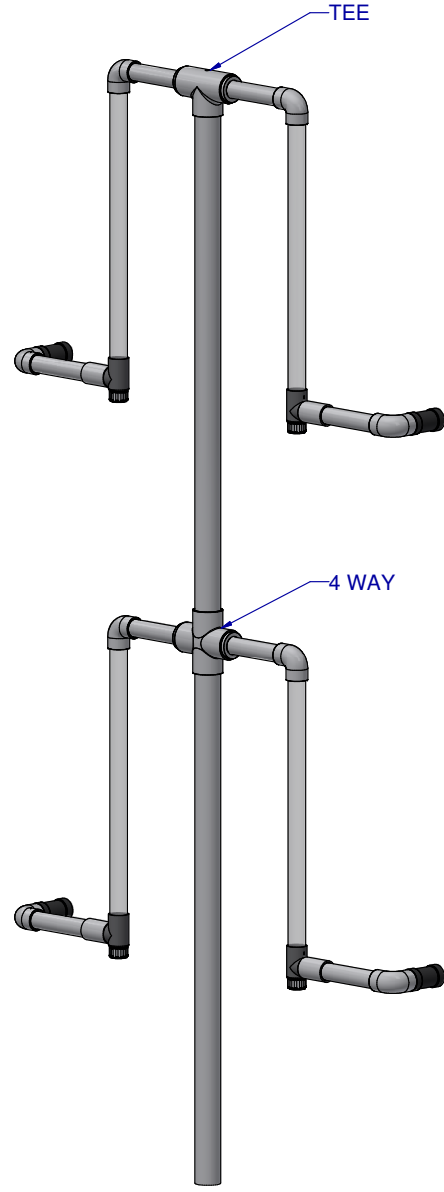


NOTES:
 1.) SHIP ALL PARTS LOOSE
 2.) CUSTOMER TO CUT 1900 AND 1352 PIPE AS NEEDED



PART NR.	QTY	DESCRIPTION	BIN
1351	1	FITTING: PVC TEE 1 1/2" X 1"	G
1336	1	FITTING: PVC CROSS 1 1/2" X 1"	G
896	4	PIPE CONNECTOR: BIG ACE / BIG Z - BLACK	E
1152	8	FITTING: PVC ELBOW 1"	G
1900-120	1	PIPE: PVC 1" X 10 FT	A
1635-22	4	PIPE: BIG ACE TRANSPARENT X 22" / 60 CM	B
1603	4	FITTING: MHT X 1" SLIP X 1" SPIGOT	G
759	4	CAP: FHT W/O HOSE WASHER	G
758	4	WASHER: HOSE	G
1084	4	FITTING: PVC COUPLING 1"	G
1352	2	PIPE: 1 1/2" PVC X 10' / 3.048 M	B
1369	4	ADAPTER: BIG ACE SPIGOT X ACE SLIP	D

REV	DESCRIPTION	DATE	ECN	BY
5	REPLACED 1150 WITH 1369	02-01-16		JKJ
4	REPLACED 2762 WITH 896	06-09-08		MAB
3	REPLACED 896 WITH 2762	01-07-08		MAB
2	REPLACED ONE 896 W/1084 AND ADDED AN 896	11-26-03	00211	AJW
1	NEW PART NUMBER	12-28-01	00121	Mb

THIS DRAWING CONTAINS PROPRIETARY AND CONFIDENTIAL INFORMATION OF ZIGGITY SYSTEMS, INC. AND MUST BE USED STRICTLY IN ACCORDANCE WITH THE LIMITED PURPOSE FOR WHICH IT WAS SUBMITTED. ANY REPRODUCTION, DISCLOSURE, OR USE OF THIS DRAWING IS EXPRESSLY PROHIBITED EXCEPT AS ZIGGITY SYSTEMS, INC. MAY OTHERWISE AGREE IN WRITING.

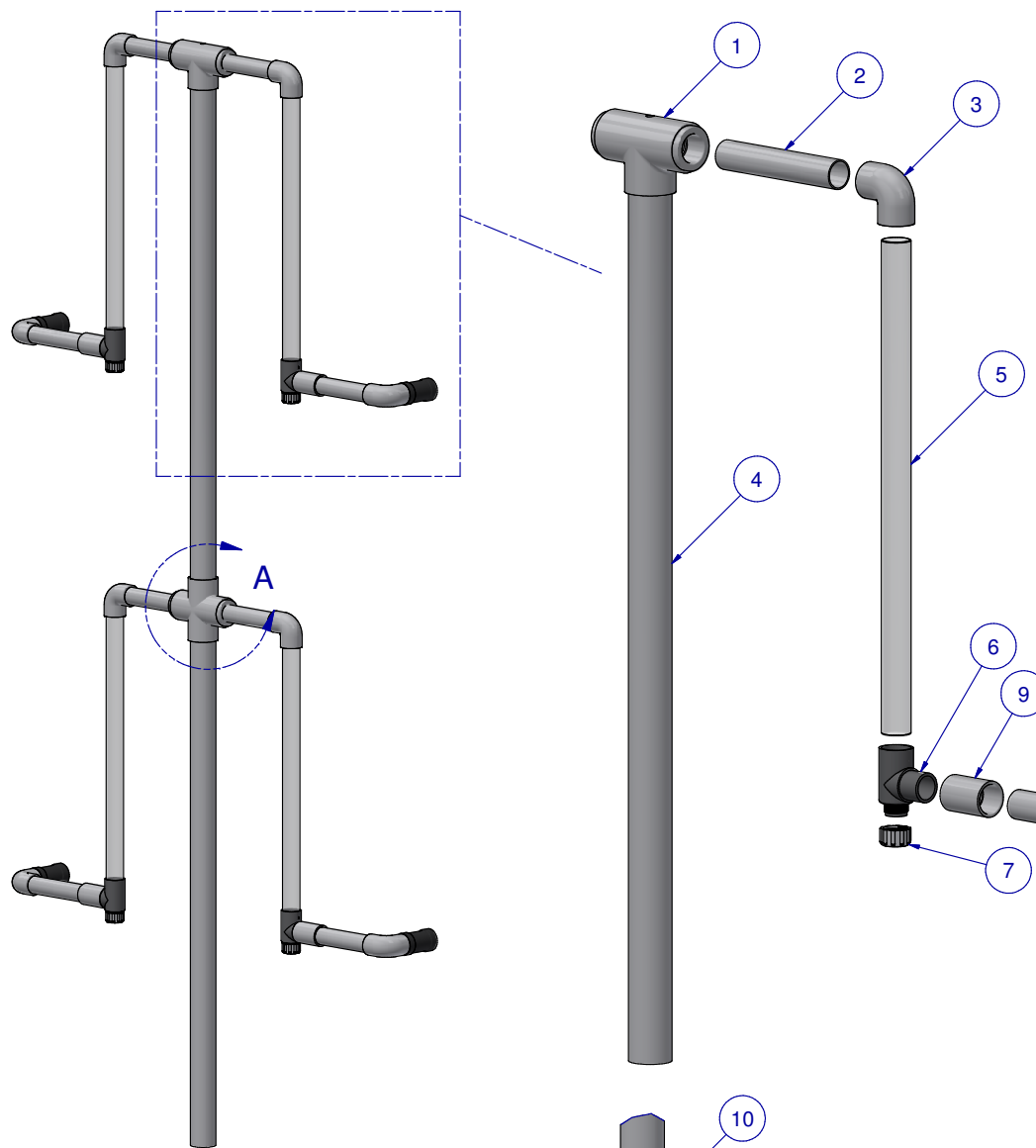


ASME Y14.5		
DRAWN BY	DATE	NAME
CHECKED BY		
APPR'V'D BY		

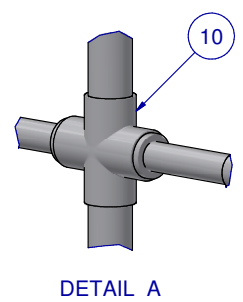
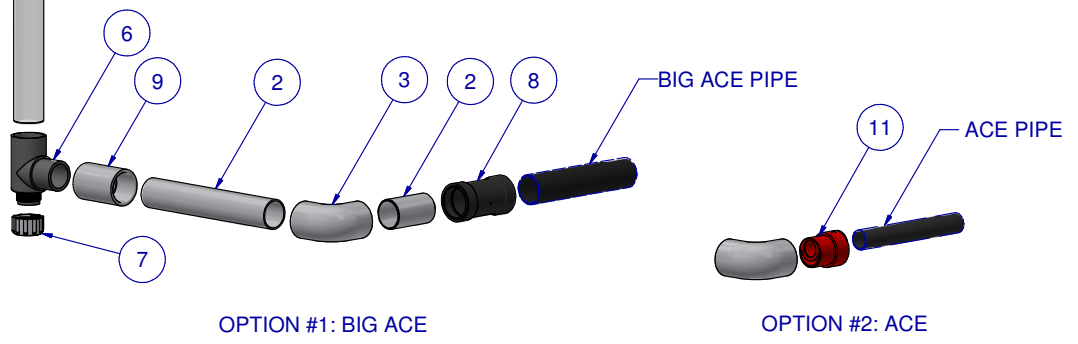
TOLERANCES UNLESS NOTED
 ALL DIMENSIONS IN INCHES

2 PLACE DECIMAL ± .010
 3 PLACE DECIMAL ± .005
 4 PLACE DECIMAL ± .0005
 FRACTIONS ± 1/16 ANGLES ± 1'

PART NR.:	2413-2			
KIT: CAGE ROW END - 2 DECK WITH 2 DRINKER LINES / DECK				
MATERIAL:				
SCALE	.070	SHEET	1	OF 1



ITEM	PART NR.	QTY	DESCRIPTION
1	1351	1	FITTING: PVC TEE 1 1/2" X 1"
2	1900-120	1	PIPE: PVC 1" X 10 FT
3	1152	8	FITTING: PVC ELBOW 1"
4	1352	2	PIPE: 1 1/2" PVC X 10' / 3.048 M
5	1635-22	4	PIPE: BIG ACE TRANSPARENT X 22" / 60 CM
6	1603	4	FITTING: MHT X 1" SLIP X 1" SPIGOT
7	2134	4	CAP: FHT W/HOSE WASHER
8	896	4	PIPE CONNECTOR: BIG ACE / BIG Z - BLACK
9	1084	4	FITTING: PVC COUPLING 1"
10	1336	1	FITTING: PVC CROSS 1 1/2" X 1"
11	1369	4	ADAPTER: BIG ACE SPIGOT X ACE SLIP



KIT: CAGE ROW END - 2 DECK WITH 2 DRINKER LINES / DECK

DATE: 12-03-03 REVISION: 5

PART NR.:
2413-2