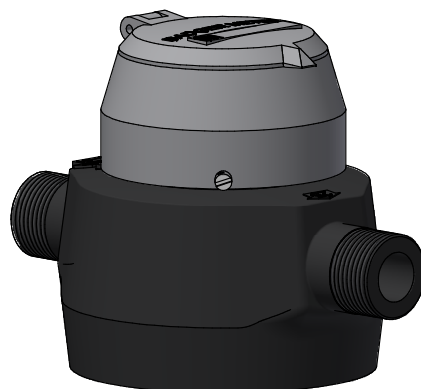


SCALE: 35%



WATER METER PART: 3/4" UNIT - W/O COUPLINGS	
DATE: 08-06-03	REVISION: 1

PART NR.:
232