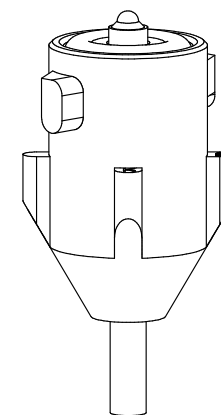
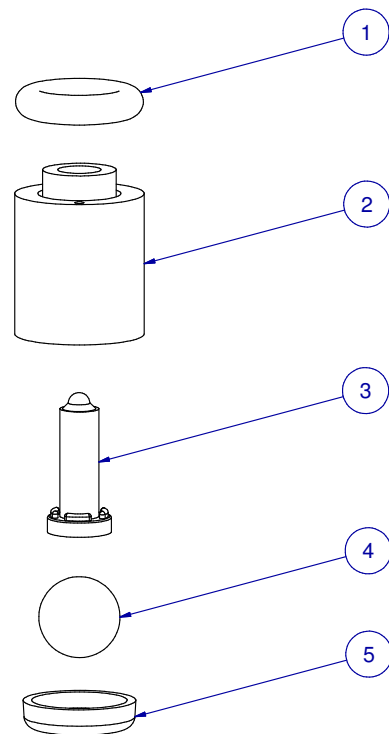


ITEM	PART NR.	QTY	DESCRIPTION
1	409	1	O-RING: 108 - 0.237" ID X 7/16" OD X 0.103" CS
2	1767	1	DRINKER PART: CAP TL - NATURAL
3	2504	1	DRINKER PART: METERING PIN - WHITE
4	1764	1	DRINKER PART: BALL - 9/32" TL & AKTIVE
5	1765	1	DRINKER PART: SEAT STAINLESS - TL & AKTIVE
6	2443	1	DRINKER PART: TRIGGER PIN - TL & AKTIVE
7	1315	1	DRINKER PART: BODY TL



DRINKER: TL MAX3 - WHITE

PART NR.:

DATE: 01-10-01

REVISION: 3

1528