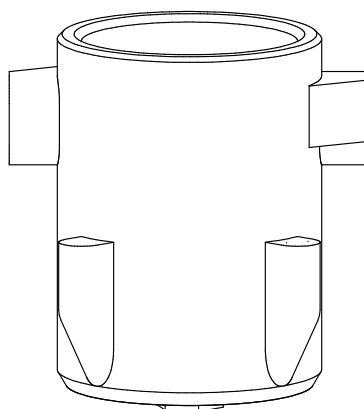


SCALE: 250%



SADDLE PLUG: BODY TL

PART NR.:

DATE: 11-29-01

REVISION: 12

1542