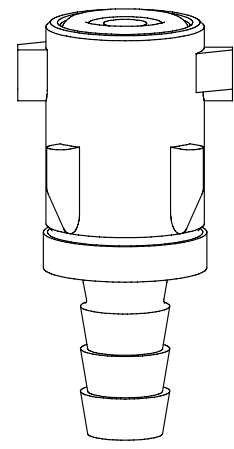
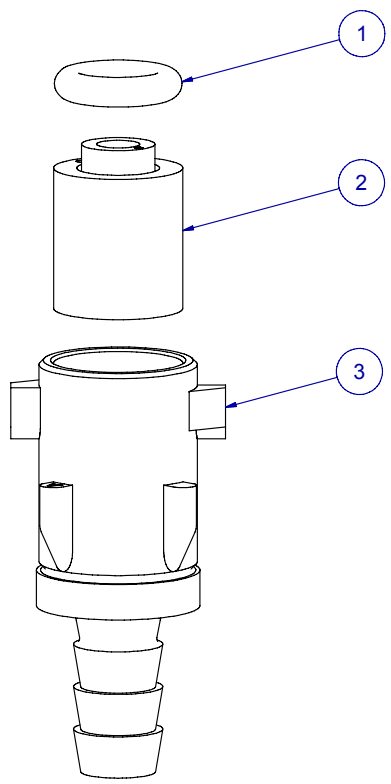


ITEM	PART NR.	QTY	DESCRIPTION
1	409	1	O-RING: 108 - 0.237" ID X 7/16" OD X 0.103" CS
2	1766	1	DRINKER PART: CAP TL - WHITE
3	1558	1	BARB ADAPTER BODY: TL



BARB ADAPTER: TL

PART NR.:

DATE: 10-24-01

REVISION: 1

1559