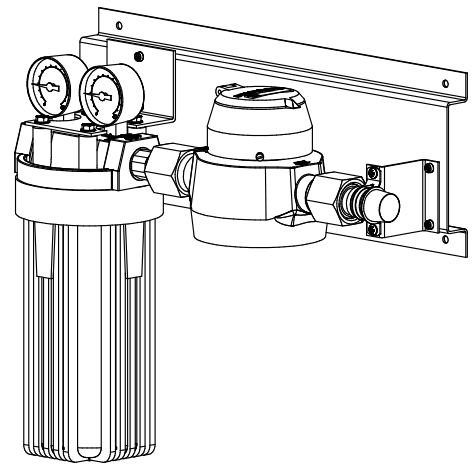


ITEM	PART NR.	QTY	DESCRIPTION
1	104	4	FASTENER: SCREW PAN HD PHILLIPS #8 - 18 X 1/2" LG
2	192	1	FILTER: 3/4" FNPT
3	254	2	FASTENER: SCREW PAN HD PHILLIPS #10 - 24 X 3/8" WD X 1/8" H
4	174	1	PIPE STRAP: METAL 2 - HL MNT 3/4" PIPE X 5/8" W
6	195	1	MOUNTING BRACKET: 3/4" FILTER & METER PANEL
7	257	2	FASTENER: NUT HEX #10 - 24 X 3/8" WD X 1/8" H
8	194	1	MOUNTING PANEL: 3/4" FILTER & METER
9	169	1	WATER METER: 3/4" - USG



FILTER & METER PANEL: 3/4"

PART NR.:

DATE: 08-08-03 REVISION: 4

193