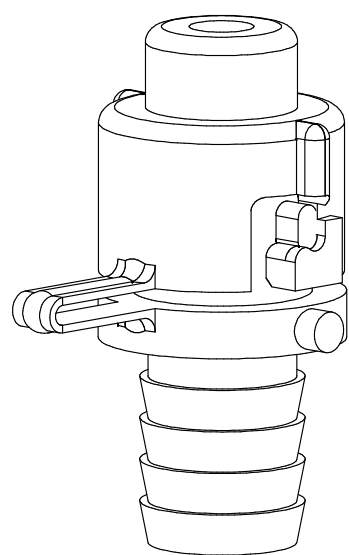
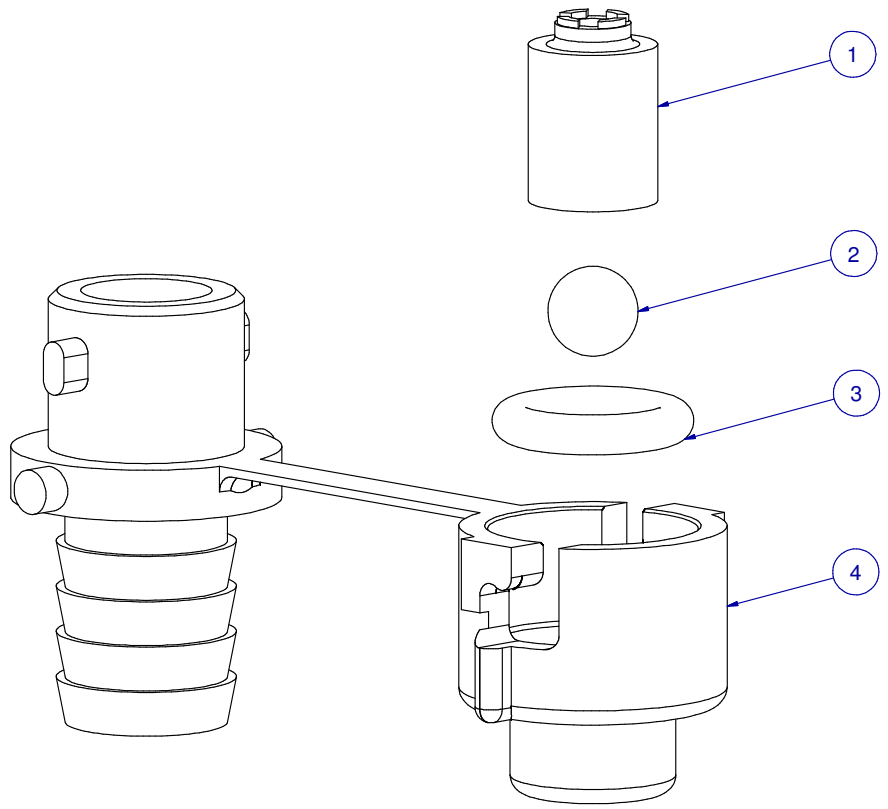


SCALE: 150%

ITEM	PART NR.	QTY	DESCRIPTION
1	2004	1	RISER TUBE CAP PART: BALL RETAINER
3	47-205	1	O-RING: 205 - 0.421" ID X 11/16" OD X 0.139" CS
2	114	1	DRINKER PART: BALL - 5/16" EPDM & SS DRINKERS
4	2657	1	RISER TUBE CAP PART: BODY



**RISER TUBE CAP**

DATE: 12-01-00      REVISION: 3

PART NR.:  
**2005**