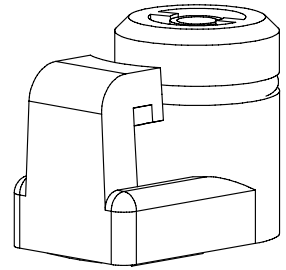
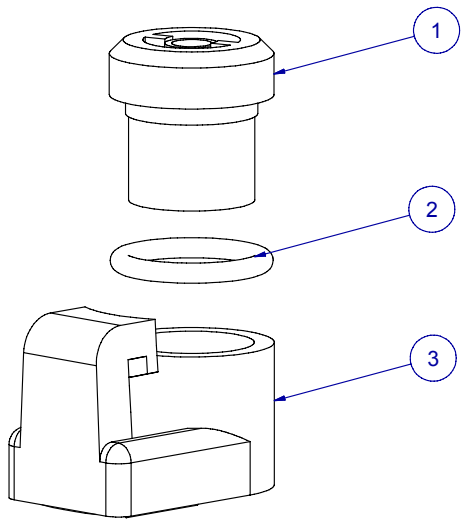


ITEM	PART NR.	QTY	DESCRIPTION
1	459	1	DRINKER PART: CAP AKTIVE - EPDM
2	47-013	1	O-RING: 013 - 0.426" ID X 9/16" OD X 0.070" CS
3	672	1	SADDLE PLUG BODY: AKTIVE



SADDLE PLUG: AKTIVE
DATE: 1-24-03 REVISION: 1

PART NR.:
2188