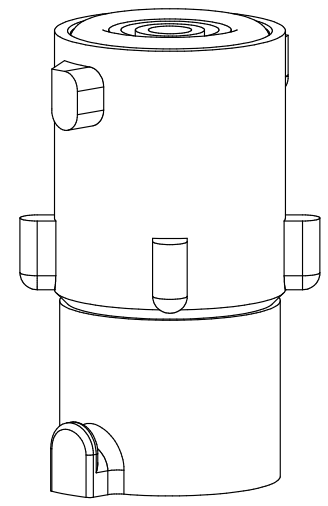
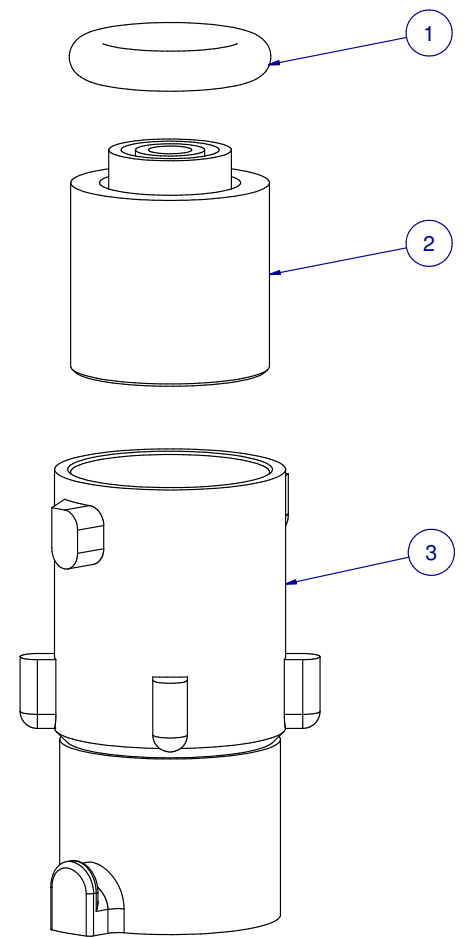


ITEM	PART NR.	QTY	DESCRIPTION
1	47-205	1	O-RING: 205 - 0.421" ID X 11/16" OD X 0.139" CS
2	1792	1	DRINKER PART: CAP BIG Z - RED
3	2357	1	ADAPTER BODY: BIG Z TO SL SADDLE



ADAPTER: BIG Z TO SL SADDLE

PART NR.:

DATE: 02-27-01

REVISION: 2

2358