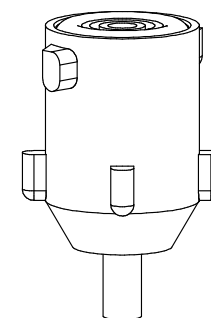
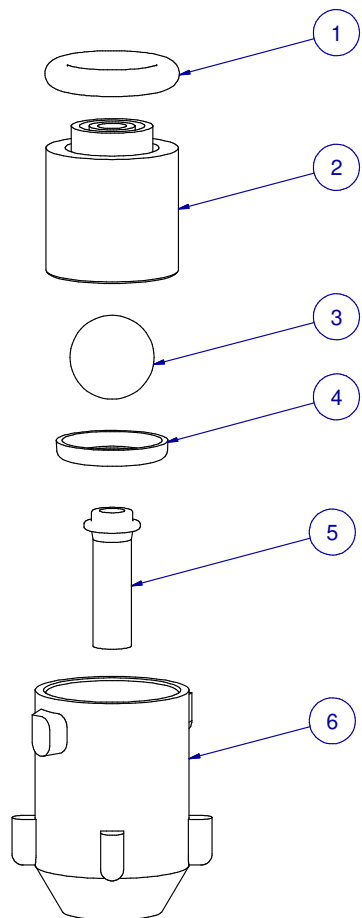


ITEM	PART NR.	QTY	DESCRIPTION
1	47-205	1	O-RING: 205 - 0.421" ID X 11/16" OD X 0.139" CS
2	1792	1	DRINKER PART: CAP BIG Z - RED
3	1783	1	DRINKER PART: BALL - 7/16" BIG Z
4	1782	1	DRINKER PART: SEAT STAINLESS - 7/16" BALL
5	2440	1	DRINKER PART: TRIGGER PIN SHORT - BIG Z
6	1482	1	DRINKER PART: BODY BIG Z



DRINKER: BIG Z - W/O METERING PIN
DATE: 12-23-20 REVISION:

PART NR.:
2675