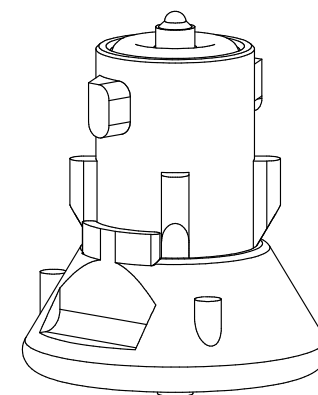


ITEM	PART NR.	QTY	DESCRIPTION
1	409	1	O-RING: 108 - 0.237" ID X 7/16" OD X 0.103" CS
2	2638	1	DRINKER PART: CAP TL - RED
3	2502	1	DRINKER PART: METERING PIN - ORANGE
4	114	1	DRINKER PART: BALL - 5/16" EPDM & SS DRINKERS
5	2634	1	DRINKER PART: TRIGGER PIN - FH
6	2633	1	DRINKER PART: SEAT CAGE
8	2772	1	DRINKER PART: BODY TL MAX8 SHIELDED



DRINKER: TL MAX8 SHIELDED

PART NR.:

DATE: 03-07-08

REVISION:

2676