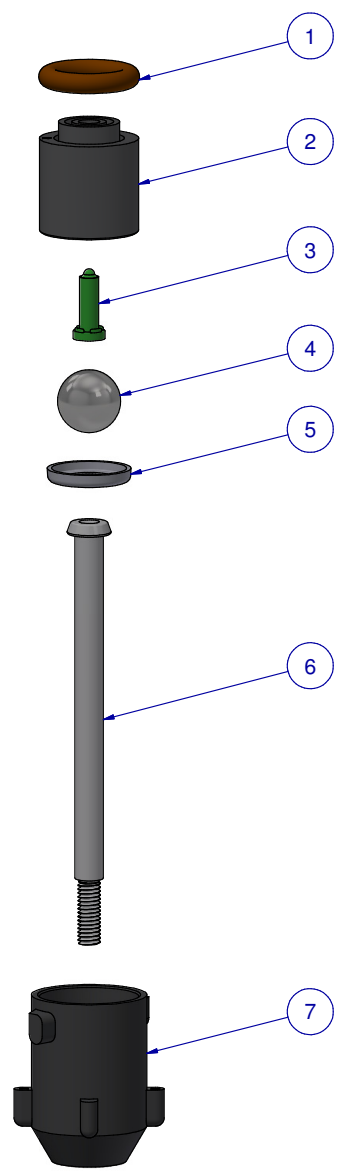
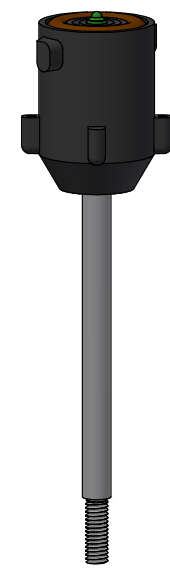


SCALE: 50%



ITEM	PART NR.	QTY	DESCRIPTION
1	4100	1	O-RING: 205 - 0.421" ID X 11/16" OD X 0.139" CS - ECR
2	2823	1	DRINKER PART: CAP BIG Z - BLACK
3	2506	1	DRINKER PART: METERING PIN - GREEN
4	1783	1	DRINKER PART: BALL - 7/16" BIG Z
5	1782	1	DRINKER PART: SEAT STAINLESS - 7/16" BALL
6	2896	1	DRINKER PART: TRIGGER PIN - T-MAX
7	4130	1	DRINKER PART: BODY BIG Z T-MAX



DRINKER PART: T-MAX - ADULT TURKEY W/O ACTIVATOR

PART NR.:

DATE: 06-05-12

REVISION: 3

2902