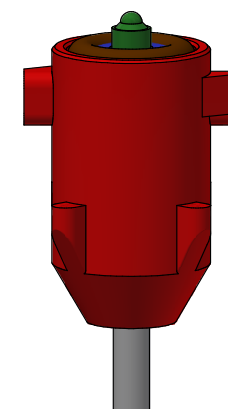
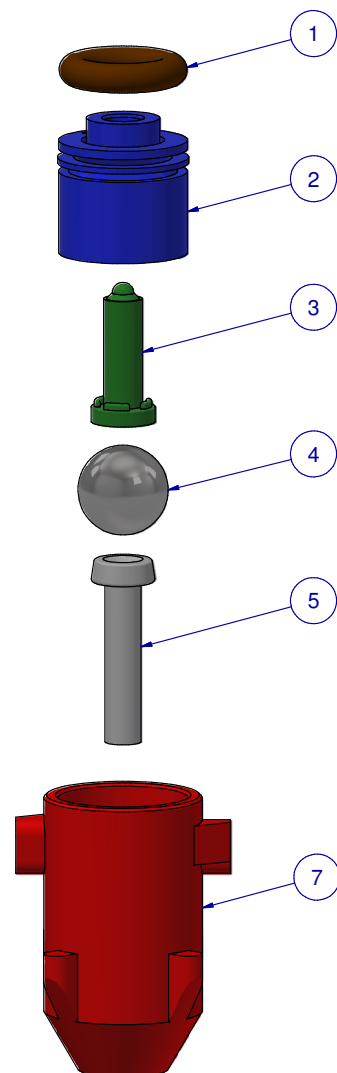


ITEM	PART NR.	QTY	DESCRIPTION
1	4119	1	O-RING: 108 - 0.237" ID X 7/16" OD X 0.103" CS - ECR
2	3848	1	DRINKER PART: CAP TL - BLUE
3	2506	1	DRINKER PART: METERING PIN - GREEN
4	114	1	DRINKER PART: BALL - 5/16" EPDM & SS DRINKERS
5	3846	1	DRINKER PART: TRIGGER PIN - MAX6
7	3604	1	DRINKER PART: BODY TL - LB



DRINKER: TL MAX6 - BROILER

PART NR.:

DATE: 10-30-23

REVISION: 1

3624