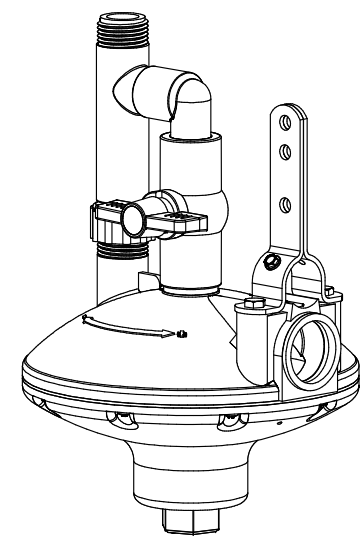
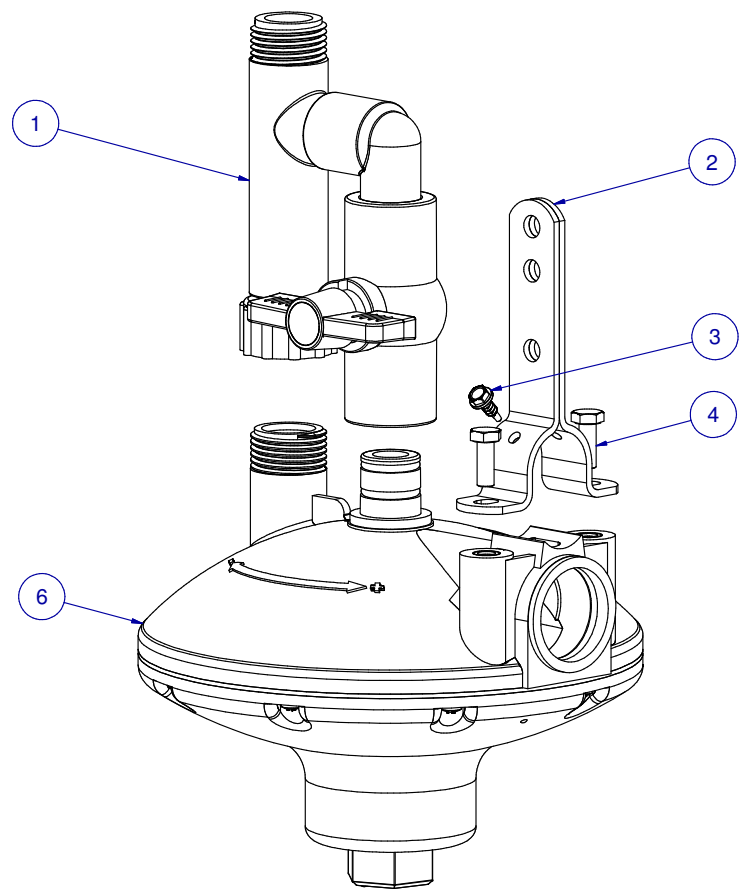


REGULATOR ASSEMBLY KEY:

- CLASSIC** = REGULATOR ASSEMBLY TOP WITH RISER
- NUVO** = REGULATOR ASSEMBLY TOP WITHOUT RISER
- FLUSH** = MANUAL FLUSH FEATURE
- AUTO FLUSH** = SOLENOID FLUSH FEATURE
- NAV** = NORTH AMERICAN VERSION "MHT"
- IV** = INTERNATIONAL VERSION "3/4" NPT"
- APA** = ACE PIPE ADAPTER
- ARF** = ADJUSTMENT RESISTANCE FEATURE
- PLF** = PRESSURE LIMITER FEATURE
- LPR** = LOW PRESSURE RANGE

ITEM	PART NR.	QTY	DESCRIPTION
1	1374	1	REGULATOR PART: FLUSH UNIT MHT INLET WHITE
2	898	1	CLAMP: SUPPORT PIPE TO FLOOR REGULATOR
3	2537	1	FASTENER: SCREW HEX WHD SELF TAPPING #8-18 X 1/2" LG
4	2089	2	FASTENER: BOLT HEX HD M6 X 1 X 16 LG
6	3906	1	REGULATOR ASSEMBLY PART: UNIT CLASSIC - ARF



REGULATOR ASSEMBLY: NUVO - FLUSH / NAV / ARF

PART NR.:

DATE: 06-15-21

REVISION: 1

3922