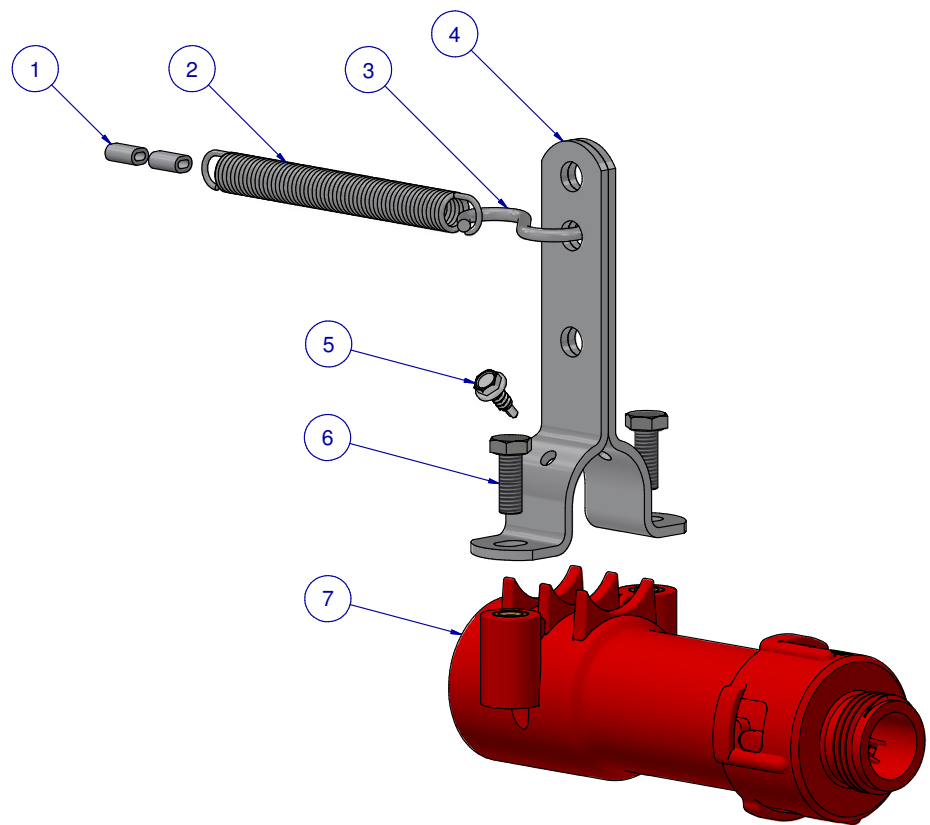
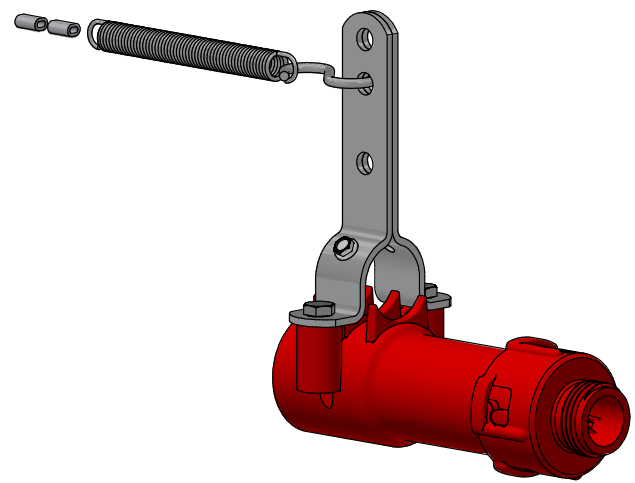


**END ASSEMBLY KEY:**

- CLASSIC** = END ASSEMBLY WITH RISER
- NUVO** = END ASSEMBLY WITHOUT RISER
- NAV** = NORTH AMERICAN VERSION "MHT"
- IV** = INTERNATIONAL VERSION "3/4" NPT"
- APA** = ACE PIPE ADAPTER



ITEM	PART NR.	QTY	DESCRIPTION
1	207	2	CLIP: ANTI-ROOST CABLE
2	206	1	SPRING: ANTI-ROOST
3	2765	1	S-HOOK: ANTI-ROOST CABLE ANCHOR
4	898	1	CLAMP: SUPPORT PIPE TO FLOOR REGULATOR
5	2537	1	FASTENER: SCREW HEX WHD SELF TAPPING #8-18 X 1/2" LG
6	2089	2	FASTENER: BOLT HEX HD M6 X 1 X 16 LG
7	3908	1	END ASSEMBLY PART: BASE SUB-ASSEMBLY - NUVO / NAV



ASSEMBLED VIEW



END ASSEMBLY: NUVO - NAV

PART NR.:

DATE: 03-24-20

REVISION:

3925