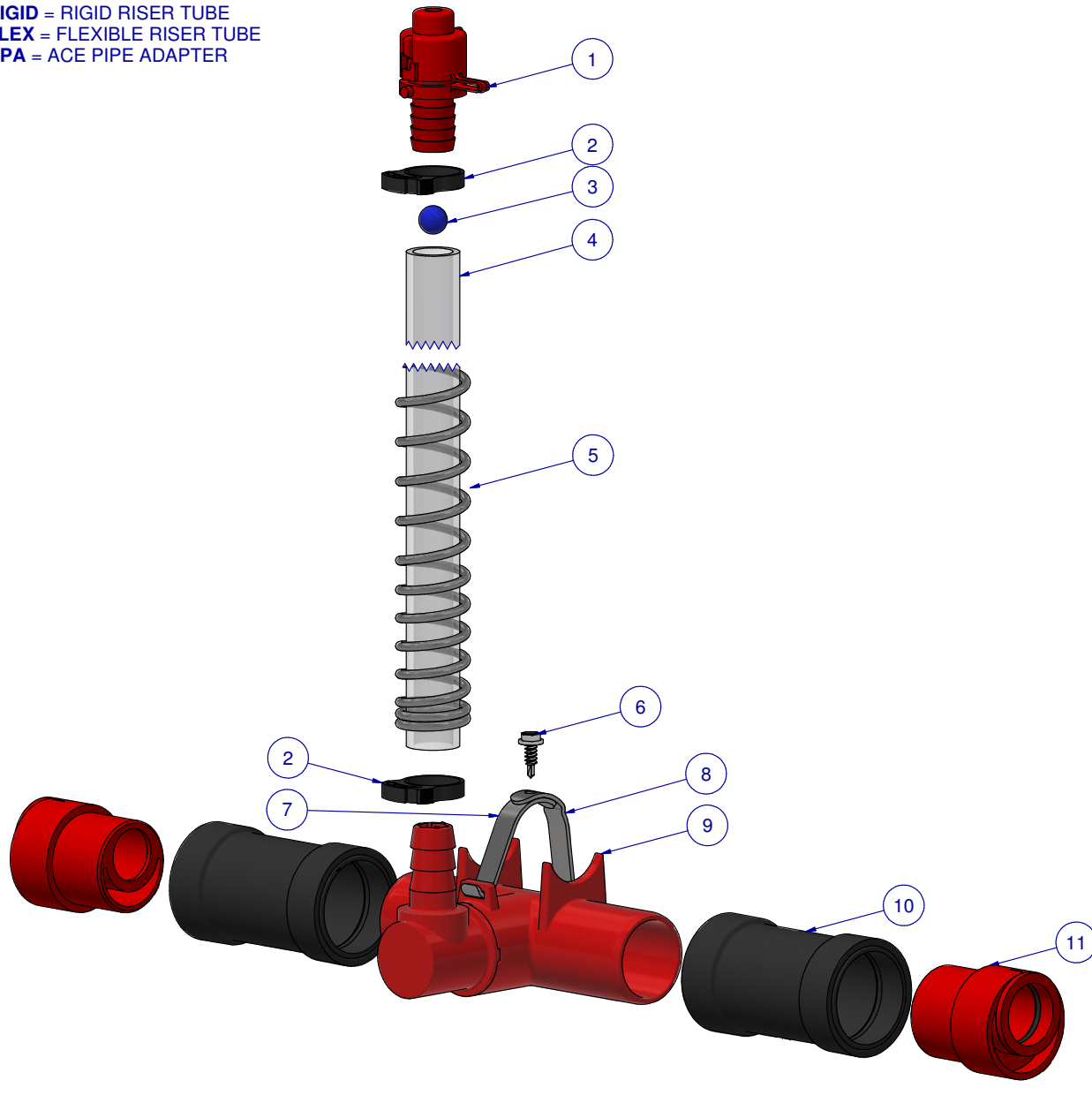
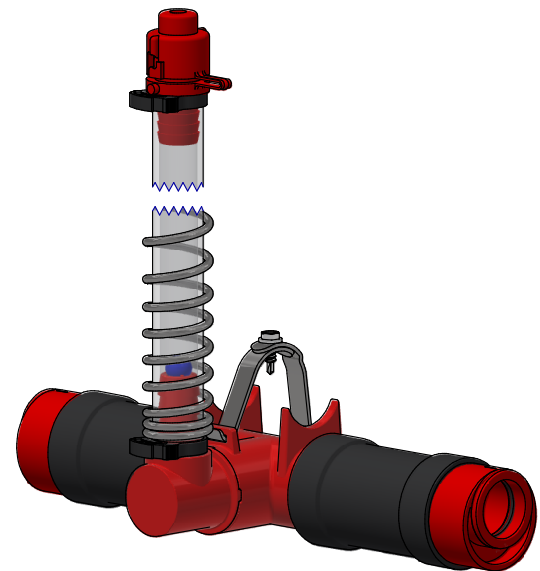


RISER ASSEMBLY KEY:

- NUVO** = RISER ASSEMBLY INLINE & ENDLINE
- RIGID** = RIGID RISER TUBE
- FLEX** = FLEXIBLE RISER TUBE
- APA** = ACE PIPE ADAPTER



ITEM	PART NR.	QTY	DESCRIPTION
1	2005	1	RISER TUBE CAP
2	511	2	CLAMP: SNAP 0.746" - 0.848" DIA. - BLACK
3	147	1	BALL: RISER TUBE
4	122-13.5	1	RISER TUBE: 13 1/2" / 34.3 CM
5	3994	1	SPRING: RISER TUBE - 11" / 28 CM
6	2537	1	FASTENER: SCREW HEX WHD SELF TAPPING #8-18 X 1/2" LG
7	3894	1	RISER ASSEMBLY PART: STABILIZING BRACKET - FRONT
8	3895	1	RISER ASSEMBLY PART: STABILIZING BRACKET - REAR
9	3890	1	RISER ASSEMBLY PART: FLEX BASE - NUVO
10	896	2	PIPE CONNECTOR: BIG ACE / BIG Z - BLACK
11	1369	2	ADAPTER: BIG ACE SPIGOT X ACE SLIP



RISER ASSEMBLY: NUVO FLEX INLINE - APA / 13"/33 CM RISER

PART NR.: 4177

DATE: 05-01-23

REVISION: