

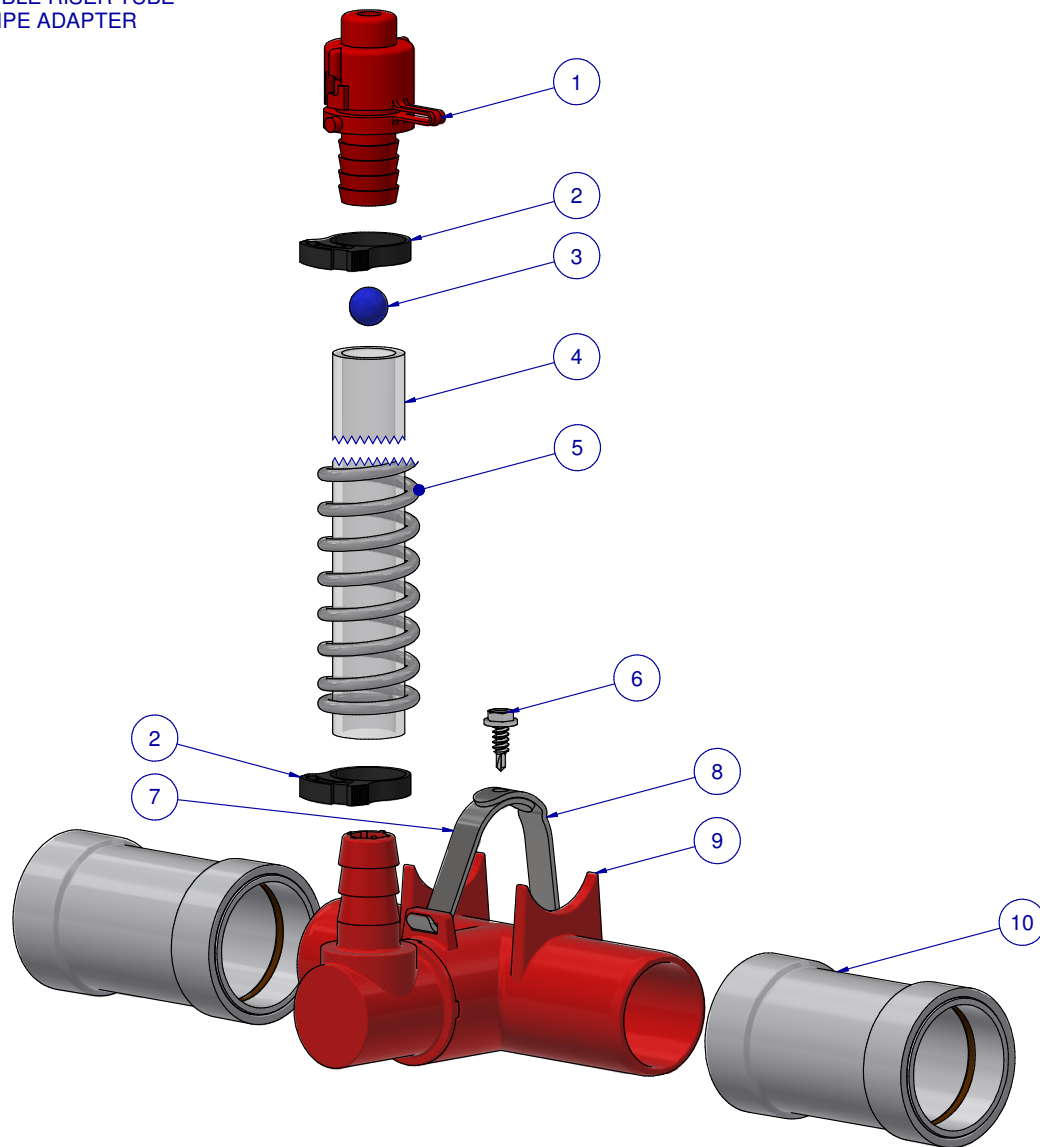
RISER ASSEMBLY KEY:

NUVO = RISER ASSEMBLY INLINE & ENDLINE

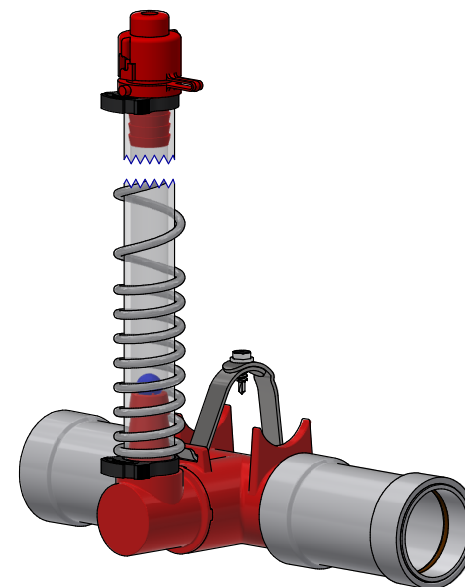
RIGID = RIGID RISER TUBE

FLEX = FLEXIBLE RISER TUBE

APA = ACE PIPE ADAPTER



ITEM	PART NR.	QTY	DESCRIPTION
1	2005	1	RISER TUBE CAP
2	511	2	CLAMP: SNAP 0.746" - 0.848" DIA. - BLACK
3	147	1	BALL: RISER TUBE
4	122-24	1	RISER TUBE: 24" / 60 CM
5	1895	1	SPRING: RISER TUBE
6	2537	1	FASTENER: SCREW HEX WHD SELF TAPPING #8-18 X 1/2" LG
7	3894	1	RISER ASSEMBLY PART: STABILIZING BRACKET - FRONT
8	3895	1	RISER ASSEMBLY PART: STABILIZING BRACKET - REAR
9	3890	1	RISER ASSEMBLY PART: FLEX BASE - NUVO
10	2762	2	PIPE CONNECTOR: 1" PVC - WHITE



RISER ASSEMBLY: NUVO FLEX INLINE - PVC / 24"/60 CM RISER

PART NR.:

DATE: 11-22-23

REVISION:

4201