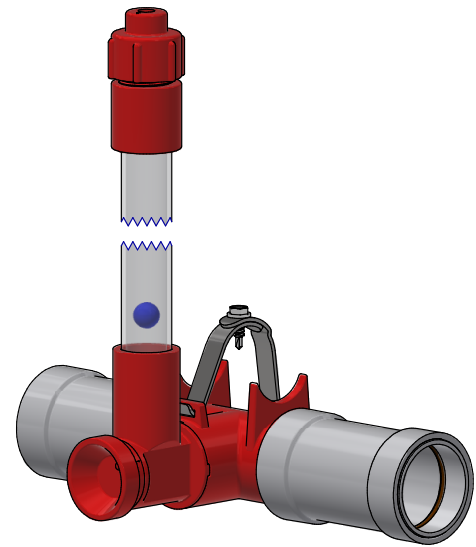
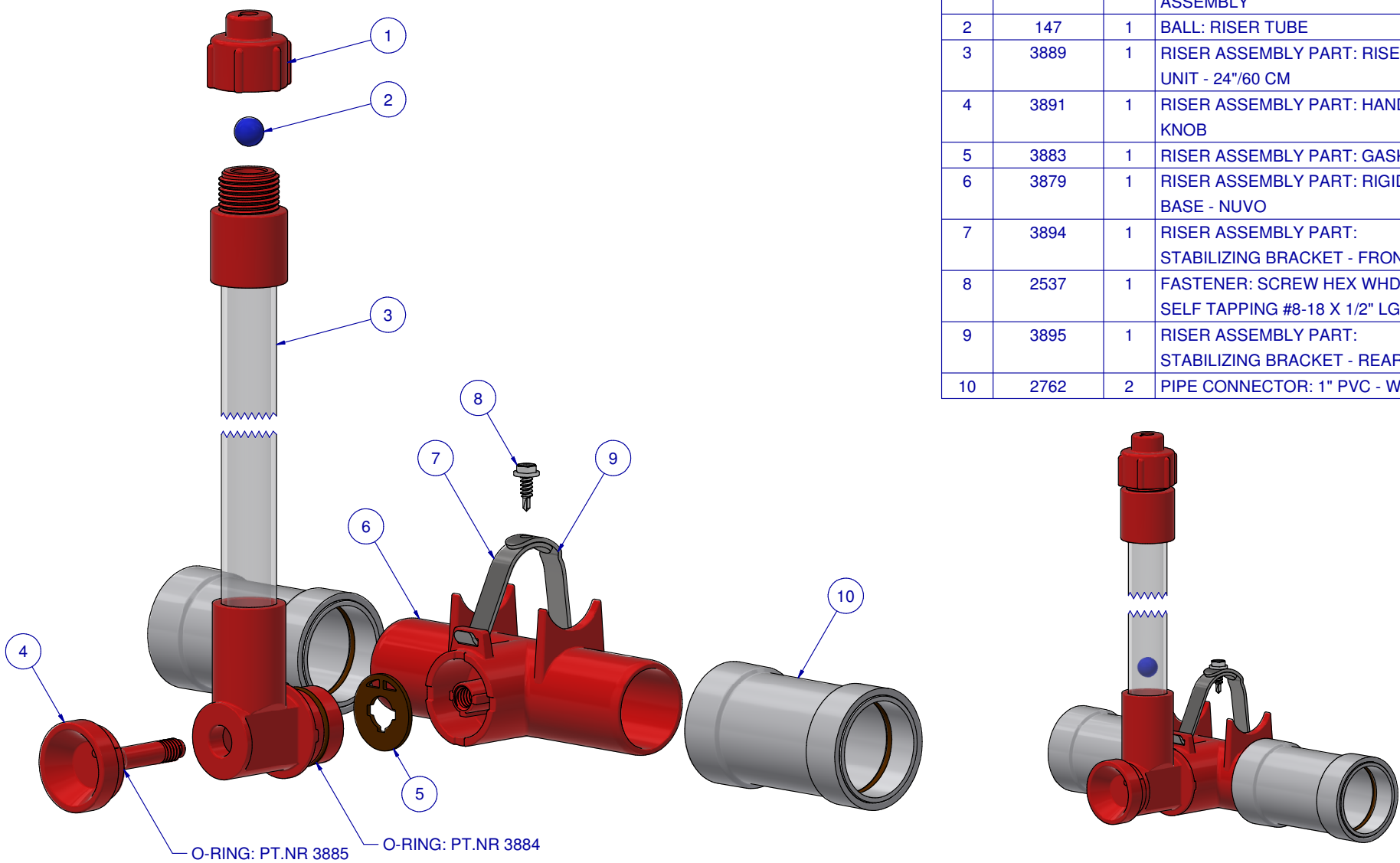


**RISER ASSEMBLY KEY:**

- NUVO** = RISER ASSEMBLY INLINE & ENDLINE
- RIGID** = RIGID RISER TUBE
- FLEX** = FLEXIBLE RISER TUBE
- APA** = ACE PIPE ADAPTER

ITEM	PART NR.	QTY	DESCRIPTION
1	3888	1	RISER ASSEMBLY PART: CAP ASSEMBLY
2	147	1	BALL: RISER TUBE
3	3889	1	RISER ASSEMBLY PART: RISER UNIT - 24"/60 CM
4	3891	1	RISER ASSEMBLY PART: HAND KNOB
5	3883	1	RISER ASSEMBLY PART: GASKET
6	3879	1	RISER ASSEMBLY PART: RIGID BASE - NUVO
7	3894	1	RISER ASSEMBLY PART: STABILIZING BRACKET - FRONT
8	2537	1	FASTENER: SCREW HEX WHD SELF TAPPING #8-18 X 1/2" LG
9	3895	1	RISER ASSEMBLY PART: STABILIZING BRACKET - REAR
10	2762	2	PIPE CONNECTOR: 1" PVC - WHITE



**RISER ASSEMBLY: NUVO RIGID INLINE - PVC / 24"/60 CM RISER**

DATE: 11-22-23      REVISION:

PART NR.:  
**4203**