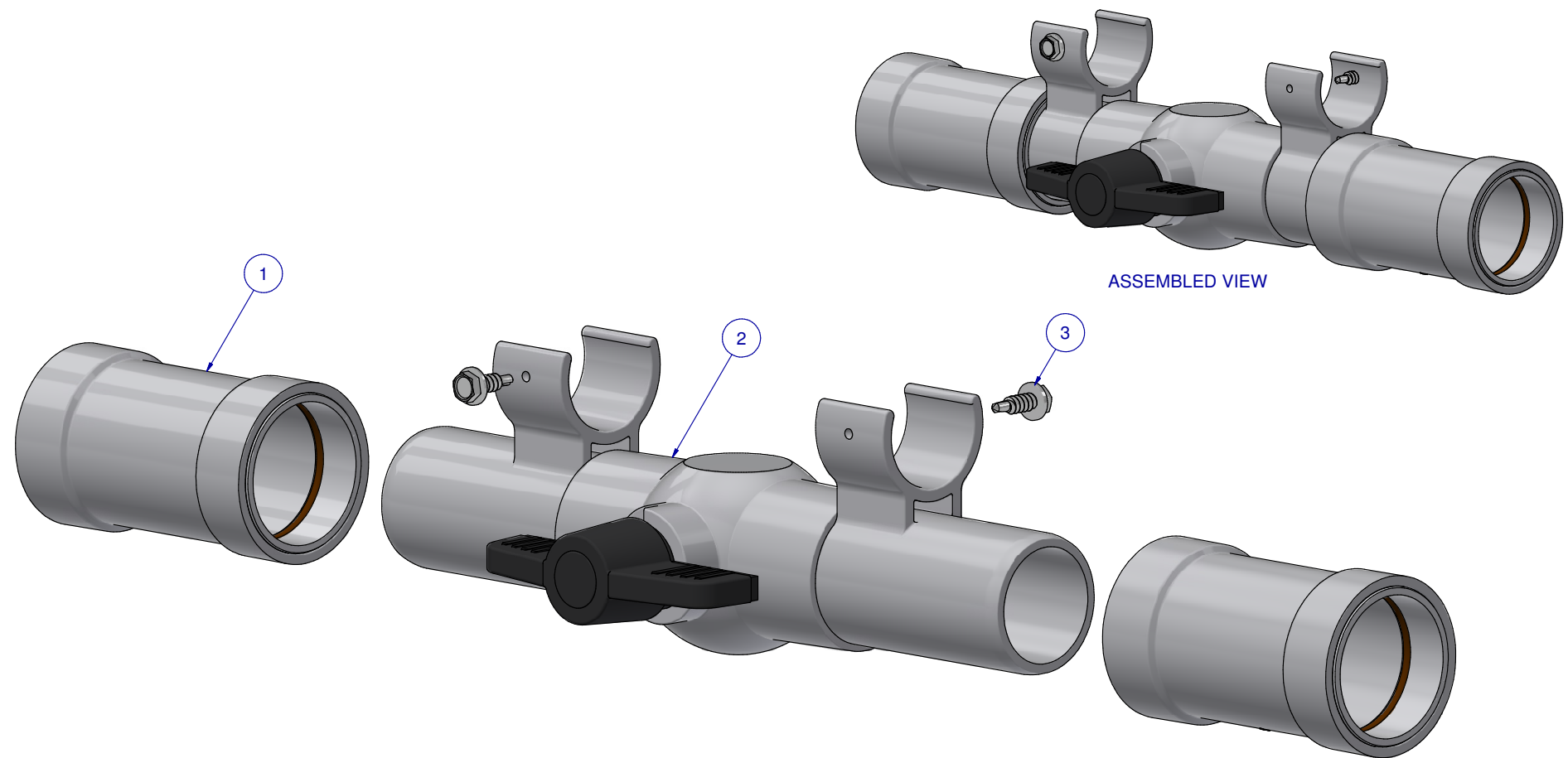


ITEM	PART NR.	QTY	DESCRIPTION	BIN
1	2762	2	PIPE CONNECTOR: 1" PVC - WHITE	E
2	3996	1	SHUT OFF ASSEMBLY PART: UNIT	G
3	2537	2	FASTENER: SCREW HEX WHD SELF TAPPING #8-18 X 1/2" LG	G



SHUT OFF ASSEMBLY: INLINE - PVC

PART NR.:

DATE: 11-22-23

REVISION:

4212