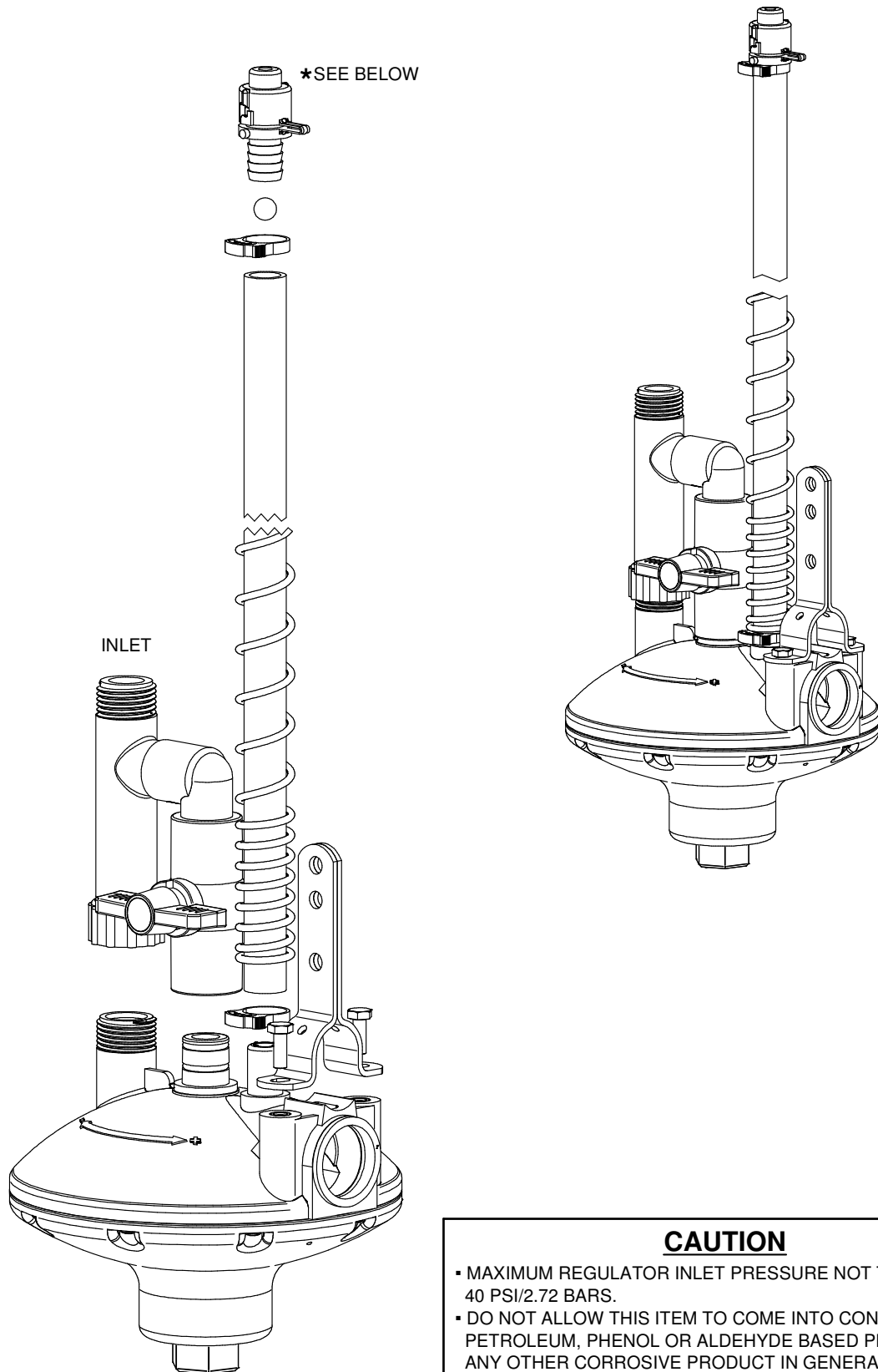


**Assembly Instructions**

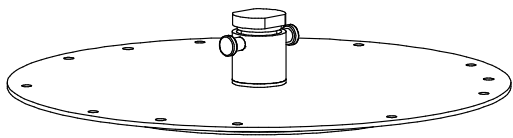
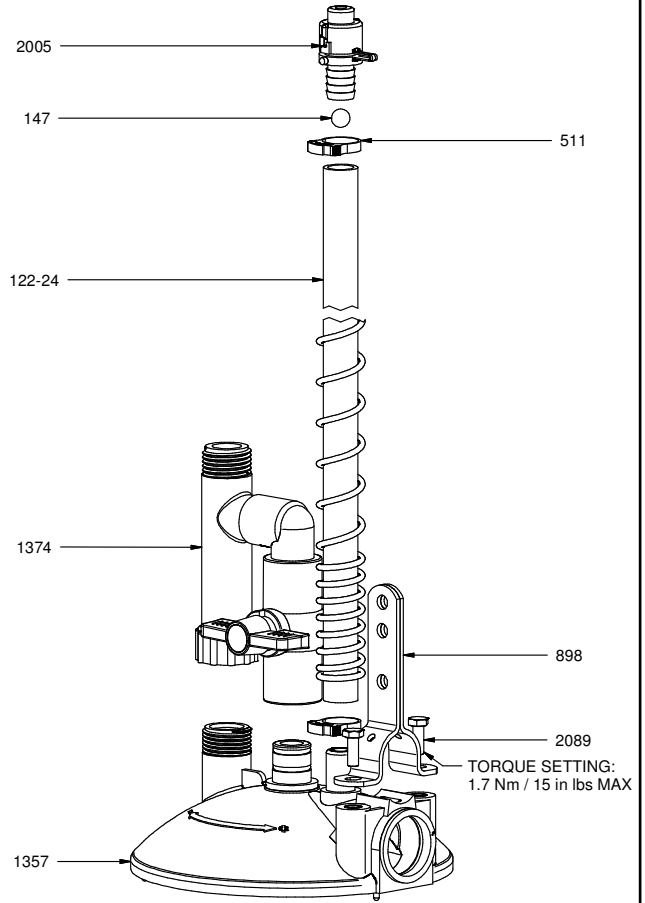


**CAUTION**

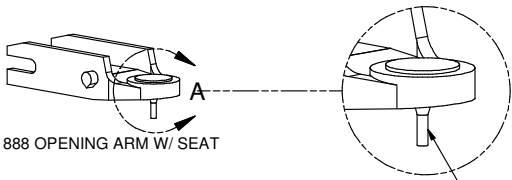
- MAXIMUM REGULATOR INLET PRESSURE NOT TO EXCEED 40 PSI/2.72 BARS.
- DO NOT ALLOW THIS ITEM TO COME INTO CONTACT WITH PETROLEUM, PHENOL OR ALDEHYDE BASED PRODUCTS OR ANY OTHER CORROSIVE PRODUCT IN GENERAL.
- IF PRESSURE DURING FLUSHING IS BELOW 5 PSI/0.35 BAR SEE GL1089

# 2948 COMPONENTS

| PART NR. | QTY  | DESCRIPTION   |
|----------|--|---|
| 122-24   | 1  | RISER TUBE: 24" / 60 CM   |
| 1374     | 1  | REGULATOR PART: FLUSH UNIT MHT INLET WHITE                          |
| 147      | 1  | BALL: RISER TUBE  |
| 1895     | 1  | SPRING: RISER TUBE  |
| 2005     | 1  | RISER TUBE CAP  |
| 2089     | 2  | FASTENER: BOLT HEX HD M6 X 1 X 16 LG                                |
| 1016     | 1  | REGULATOR PART: ADJUSTMENT KNOB ASSEMBLY - AT & INLINE              |
| 1357     | 1  | REGULATOR PART: INLET/OUTLET HOUSING - FLOOR                        |
| 187      | 1  | REGULATOR PART: ADJUSTMENT HOUSING - STANDARD & INLINE              |
| 157      | 1  | WASHER: METAL - 5/16" ID X 3/4" OD X 0.044" TH                      |
| 181      | 1  | REGULATOR PART: DIAPHRAGM - STANDARD                                |
| 417      | 1  | O-RING: 6.40MM ID X 10.21MM OD X 1.90MM CS                          |
| 89       | 1  | FASTENER: NUT HEX 5/16" - 18 X 1/2" WD X 17/64" H                   |
| 91       | 1  | REGULATOR PART: SWIVEL COUPLING - STANDARD                          |
| 92       | 1  | REGULATOR PART: SHOULDER BOLT - STANDARD                            |
| 97       | 1  | REGULATOR PART: DIAPHRAGM BACKING PLATE - STANDARD                  |
| 506      | 1  | REGULATOR PART: SPRING 0.05 - 1 PSI                                 |
| 83       | 11   | FASTENER: SCREW PAN HD PHILLIPS #7 - 18 X 1/2" LG - PLASTITE THREAD |
| 87       | 2 <td>REGULATOR PART: RETAINER BLOCK - STANDARD</td> | REGULATOR PART: RETAINER BLOCK - STANDARD                           |
| 888      | 1  | REGULATOR PART: OPENING ARM W/ SEAT                                 |
| 511      | 2  | CLAMP: SNAP 0.746" - 0.848" DIA. - BLACK                            |
| 898      | 1  | CLAMP: SUPPORT PIPE TO FLOOR REGULATOR                              |

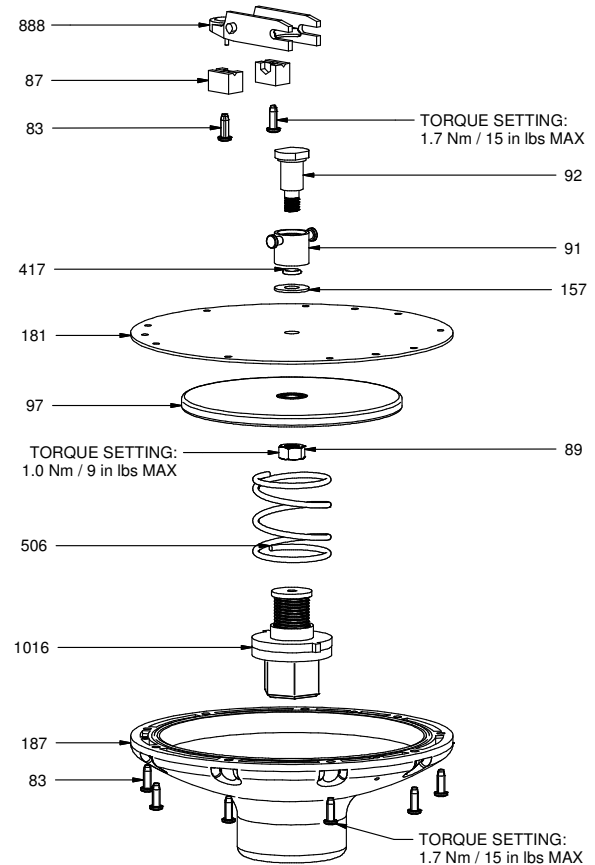


301 DIAPHRAGM ASSEMBLY - STANDARD



888 OPENING ARM W/ SEAT

88-V CAN BE PURCHASED SEPARATELY



Ziggy Systems Inc.  
 101 Industrial Parkway East  
 Middlebury Indiana 46540-8549  
 USA  
 Tel: + 1 574.825.5849  
 Fax: + 1 574.825.7674  
 Web: www.ziggy.com