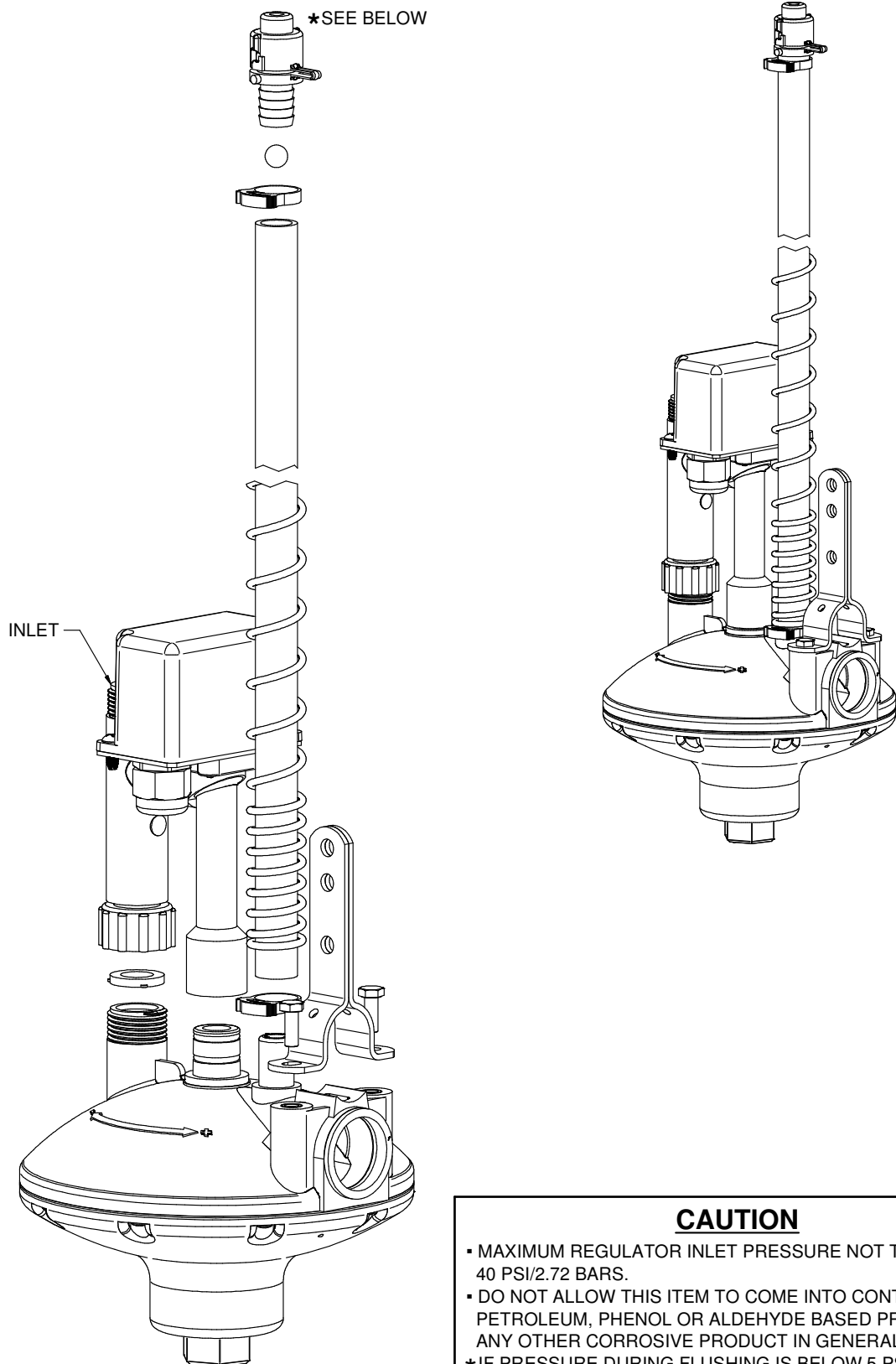


Assembly Instructions

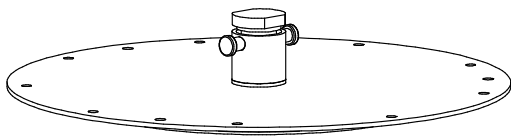
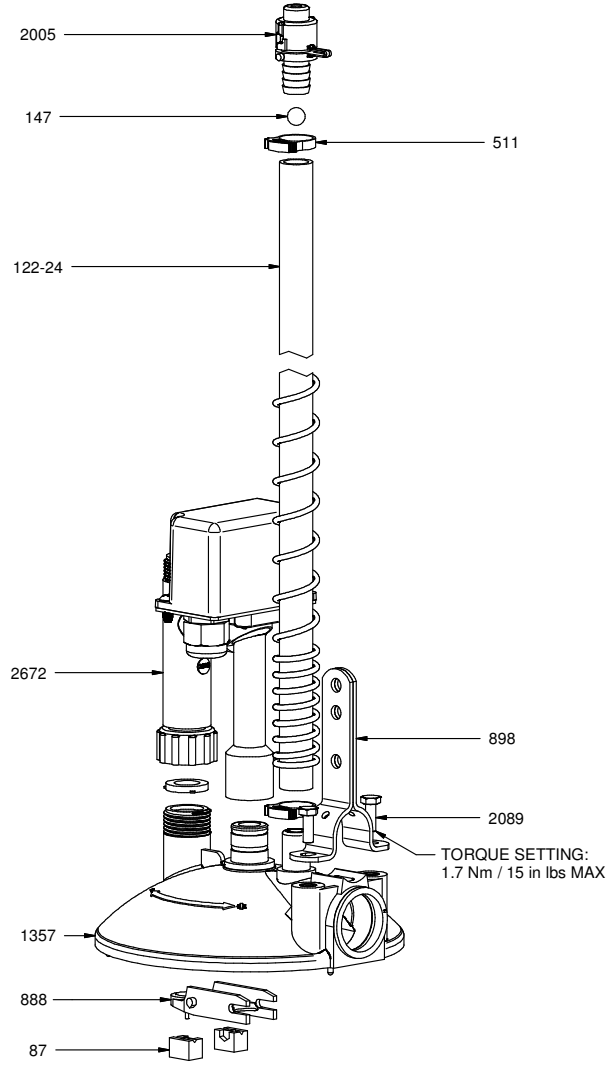


CAUTION

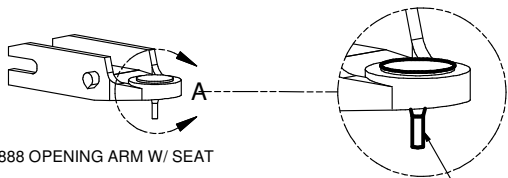
- MAXIMUM REGULATOR INLET PRESSURE NOT TO EXCEED 40 PSI/2.72 BARS.
- DO NOT ALLOW THIS ITEM TO COME INTO CONTACT WITH PETROLEUM, PHENOL OR ALDEHYDE BASED PRODUCTS OR ANY OTHER CORROSIVE PRODUCT IN GENERAL.
- IF PRESSURE DURING FLUSHING IS BELOW 5 PSI/0.35 BAR SEE GL1089

2951 COMPONENTS

| PART NR. | QTY | DESCRIPTION |
|----------|-----|---------------------------------------------------------------------|
| 122-24 | 1 | RISER TUBE: 24" / 60 CM |
| 147 | 1 | BALL: RISER TUBE |
| 1895 | 1 | SPRING: RISER TUBE |
| 2005 | 1 | RISER TUBE CAP |
| 2089 | 2 | FASTENER: BOLT HEX HD M6 X 1 X 16 LG |
| 2672 | 1 | REGULATOR PART: SOLENOID FLUSH 3/4" MNPT INLET - 24 VAC |
| 1016 | 1 | REGULATOR PART: ADJUSTMENT KNOB ASSEMBLY - AT & INLINE |
| 1357 | 1 | REGULATOR PART: INLET/OUTLET HOUSING - FLOOR |
| 187 | 1 | REGULATOR PART: ADJUSTMENT HOUSING - STANDARD & INLINE |
| 157 | 1 | WASHER: METAL - 5/16" ID X 3/4" OD X 0.044" TH |
| 181 | 1 | REGULATOR PART: DIAPHRAGM - STANDARD |
| 417 | 1 | O-RING: 6.40MM ID X 10.21MM OD X 1.90MM CS |
| 89 | 1 | FASTENER: NUT HEX 5/16" - 18 X 1/2" WD X 17/64" H |
| 91 | 1 | REGULATOR PART: SWIVEL COUPLING - STANDARD |
| 92 | 1 | REGULATOR PART: SHOULDER BOLT - STANDARD |
| 97 | 1 | REGULATOR PART: DIAPHRAGM BACKING PLATE - STANDARD |
| 506 | 1 | REGULATOR PART: SPRING 0.05 - 1 PSI |
| 83 | 11 | FASTENER: SCREW PAN HD PHILLIPS #7 - 18 X 1/2" LG - PLASTITE THREAD |
| 87 | 2 | REGULATOR PART: RETAINER BLOCK - STANDARD |
| 888 | 1 | REGULATOR PART: OPENING ARM W/ SEAT |
| 511 | 2 | CLAMP: SNAP 0.746" - 0.848" DIA. - BLACK |
| 898 | 1 | CLAMP: SUPPORT PIPE TO FLOOR REGULATOR |

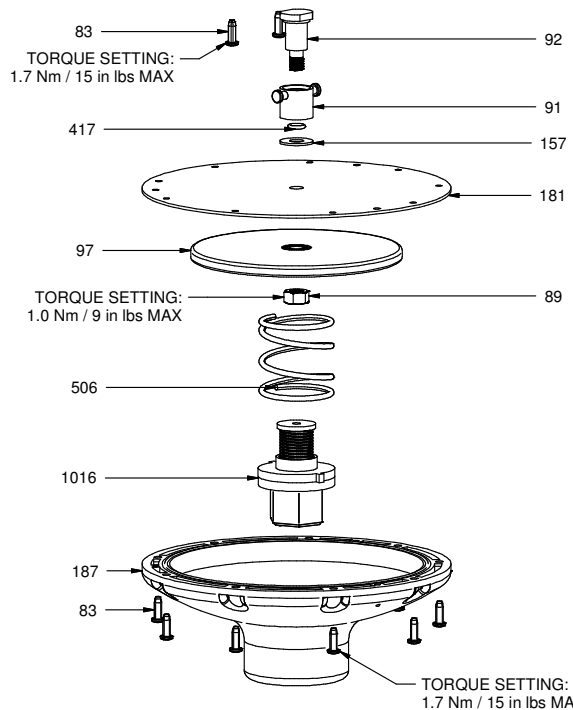


301 DIAPHRAGM ASSEMBLY - STANDARD



888 OPENING ARM W/ SEAT

88-V CAN BE PURCHASED SEPARATELY



Ziggy Systems Inc.
 101 Industrial Parkway East
 Middlebury Indiana 46540-8549
 USA
 Tel: + 1 574.825.5849
 Fax: + 1 574.825.7674
 Web: www.ziggy.com