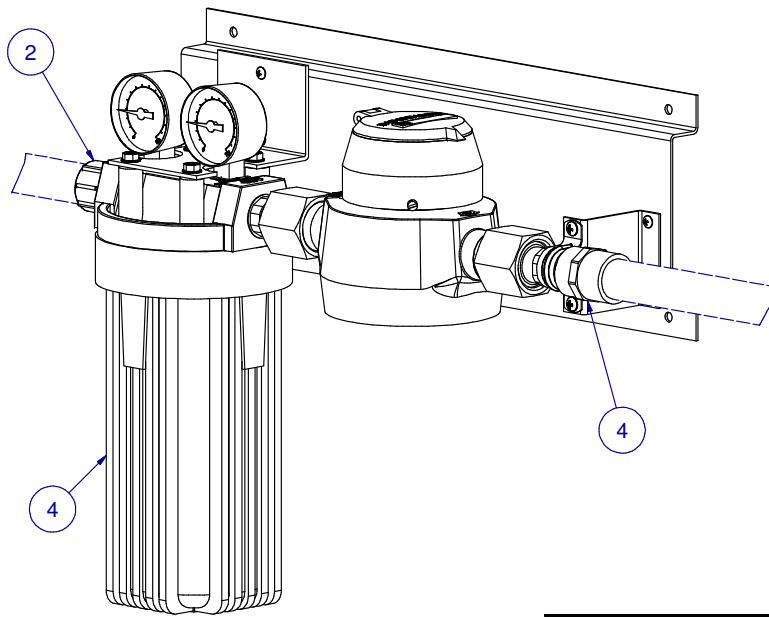
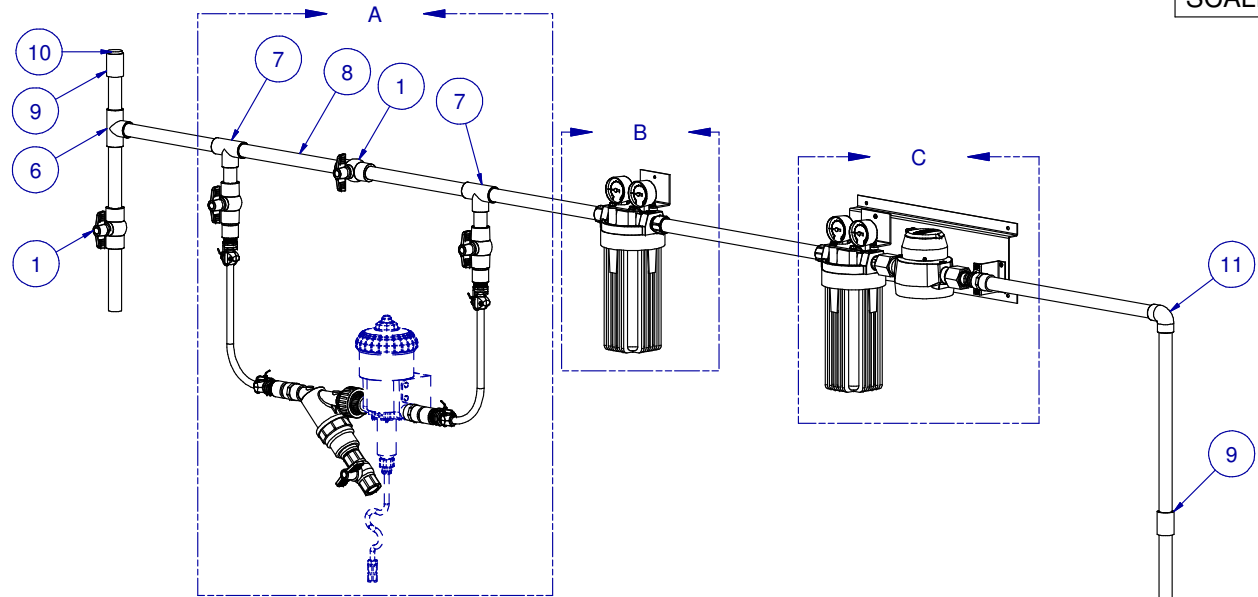
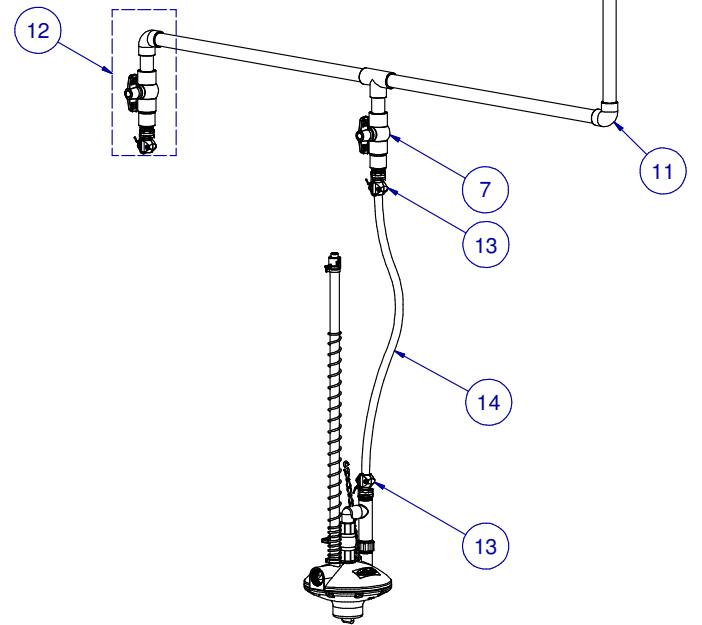
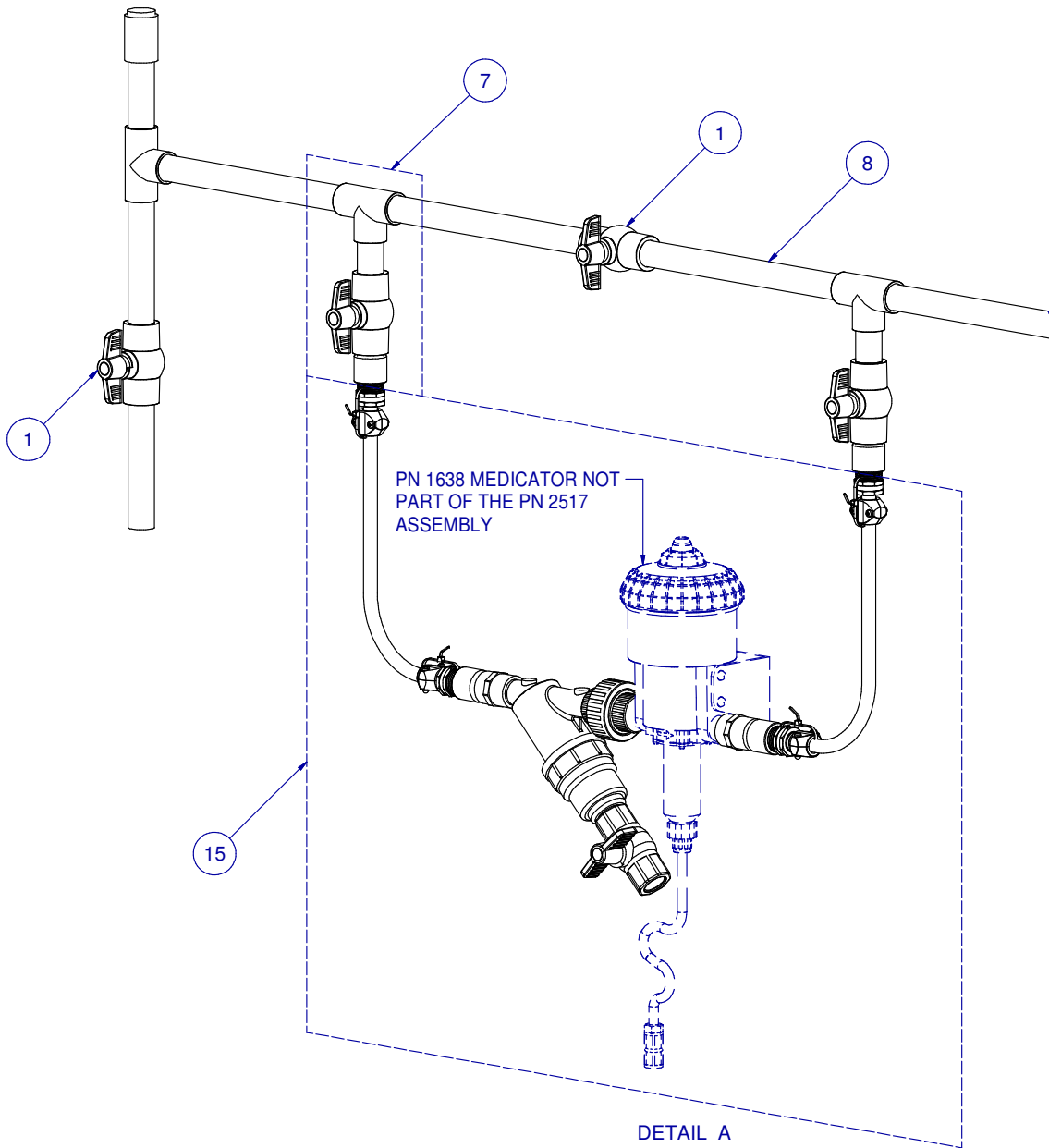


DETAIL B  
OPTION #1



DETAIL C  
OPTION #2





ITEM	PART NR.	DESCRIPTION
1	1587	FITTING: PVC BALL VALVE 3/4"
2	1649	FITTING: PVC MALE ADAPTER 3/4" X 3/4" MNPT
3	192	FILTER: 3/4" FNPT
4	193	FILTER & METER PANEL: 3/4"
5	1997	FITTING: PVC ADAPTER 3/4" FNPT X 3/4" SLIP
6	1648	FITTING: PVC TEE 3/4"
7	1899	REGULATOR SUPPLY VALVE UNIT: 3/4" TEE X MHT
8	1586	PIPE: 3/4" PVC
9	1897	FITTING: PVC COUPLING 3/4"
10	1911	FITTING: PVC PLUG 3/4" SPIGOT
11	1647	FITTING: PVC ELBOW 3/4"
12	2003	REGULATOR SUPPLY VALVE UNIT: ELBOW 3/4" PVC
13	3858	COUPLING: FHT X 1/2" BARB
14	1788	HOSE: REG WATER SUPPLY 1/2" X 60FT/18M
15	2517	MEDICATOR HOOK UP ASSEMBLY: DOSATRON