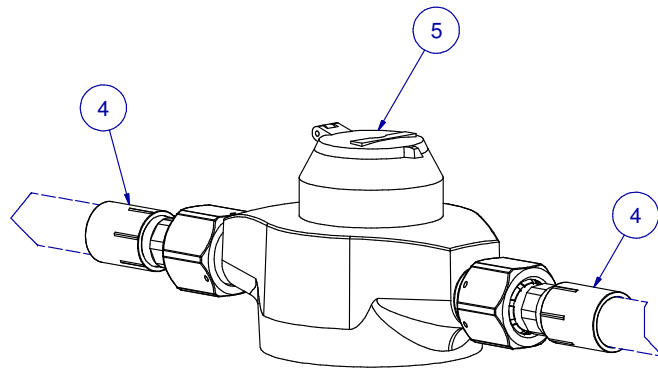
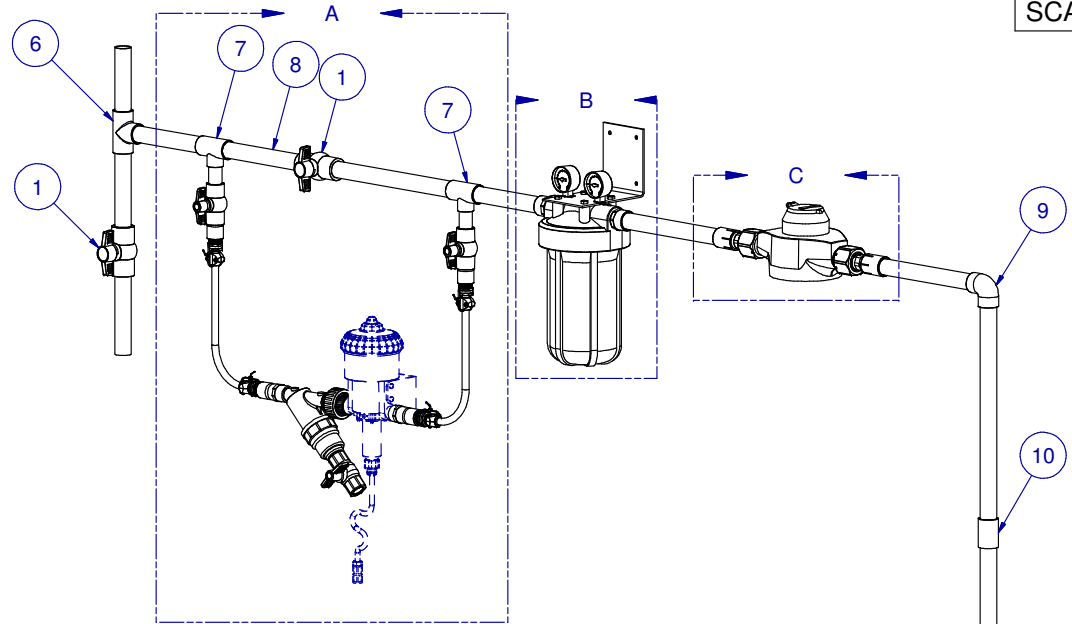
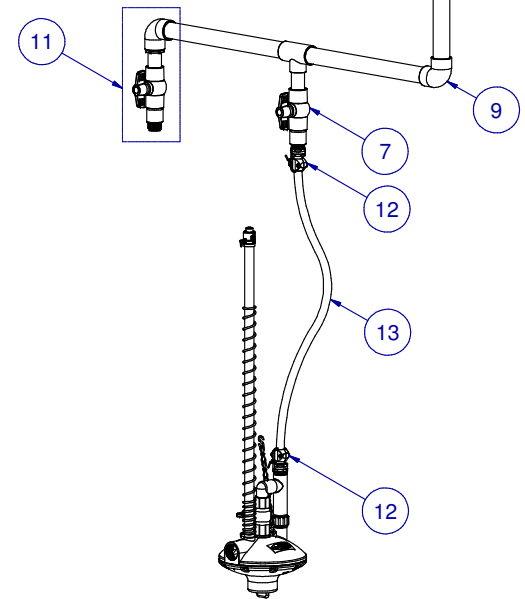
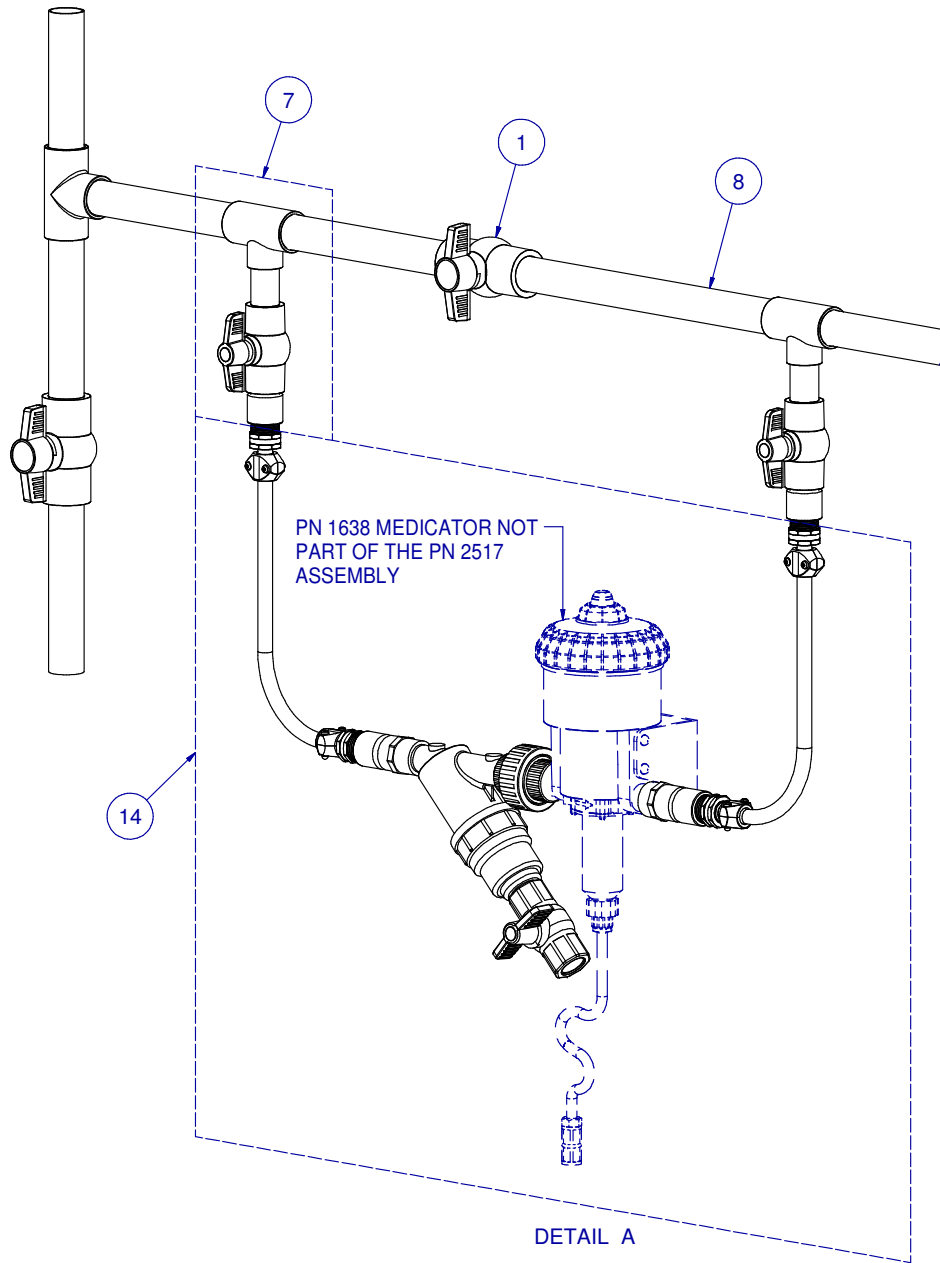


DETAIL B



DETAIL C





| ITEM | PART NR. | DESCRIPTION |
|------|----------|---|
| 1 | 1112 | FITTING: PVC BALL VALVE 1" |
| 2 | 1154 | FITTING: PVC MALE ADAPTER 1" X 1" MNPT |
| 3 | 775 | FILTER: 1" FNPT |
| 4 | 1581 | FITTING: PVC ADAPTER 1" SLIP X 1" FNPT |
| 5 | 770 | WATER METER: 1" - USG |
| 6 | 1156 | FITTING: PVC TEE 1" |
| 7 | 1909 | REGULATOR SUPPLY VALVE UNIT: TEE 1" PVC |
| 8 | 1900 | PIPE: 1" PVC |
| 9 | 1152 | FITTING: PVC ELBOW 1" |
| 10 | 1084 | FITTING: PVC COUPLING 1" |
| 11 | 2458 | REGULATOR SUPPLY VALVE UNIT: ELBOW 1" PVC |
| 12 | 3858 | COUPLING: FHT X 1/2" BARB |
| 13 | 1788 | HOSE: REG WATER SUPPLY 1/2" X 60FT/18M |
| 14 | 2517 | MEDICATOR HOOK UP ASSEMBLY: DOSATRON |