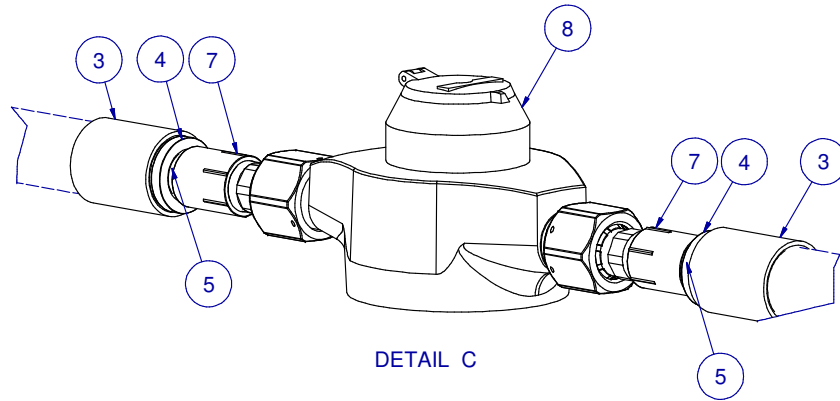
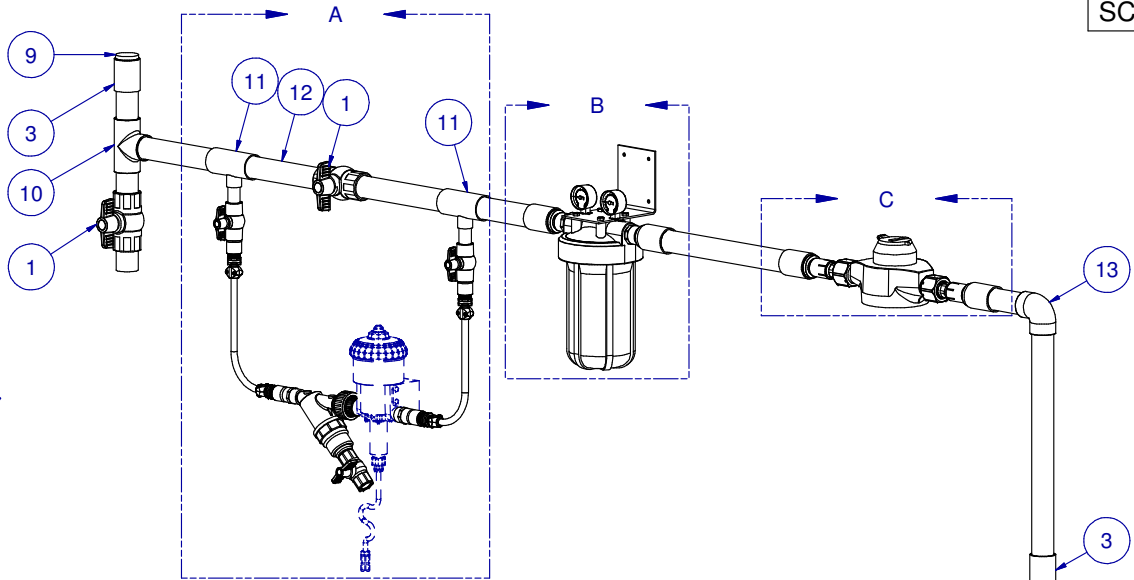
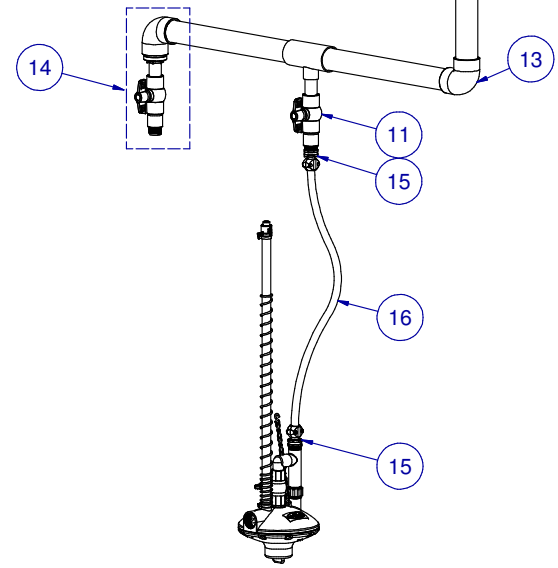
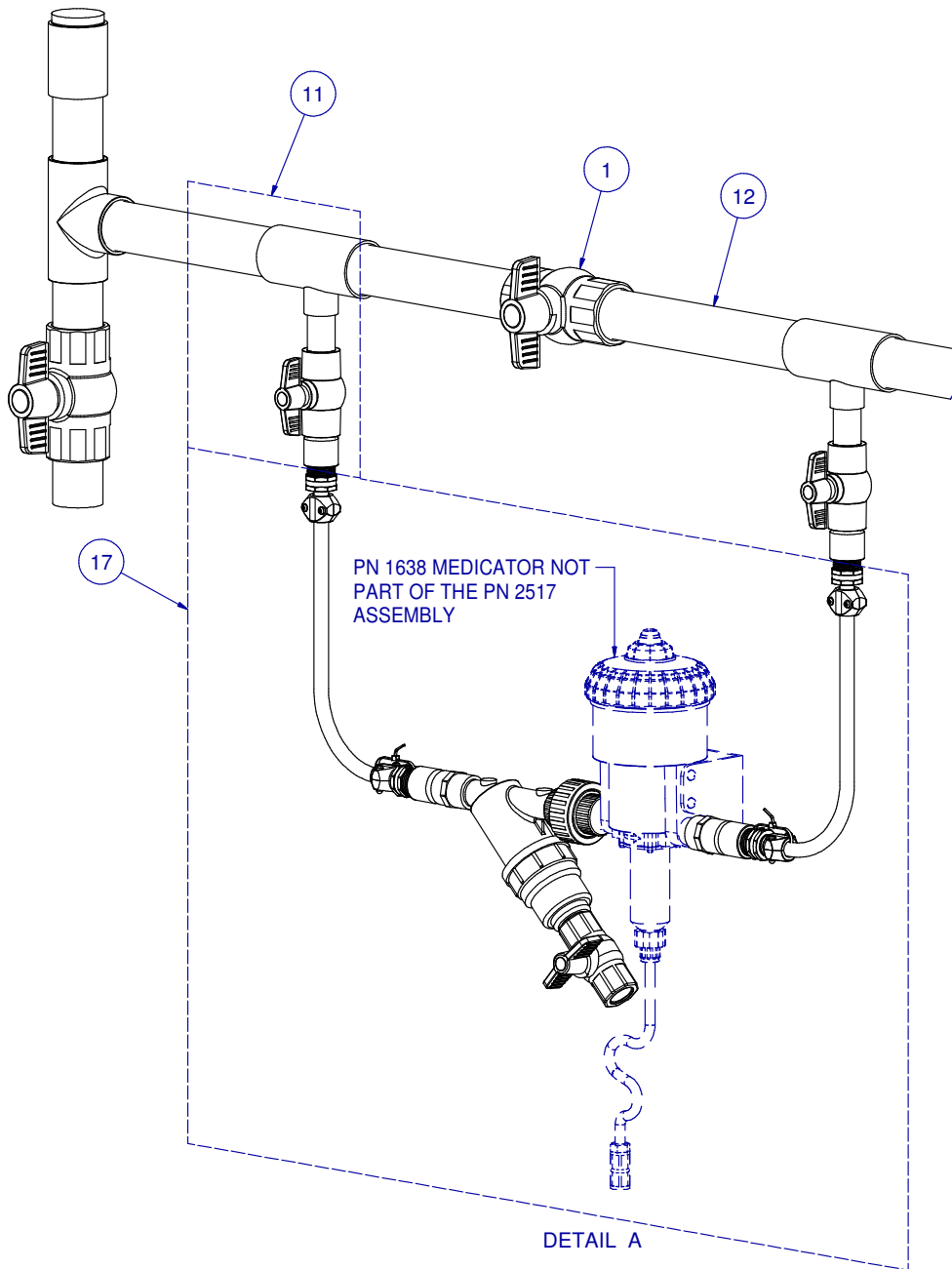


DETAIL B



DETAIL C





ITEM	PART NR.	DESCRIPTION
1	1580	FITTING: PVC BALL VALVE 1 1/2"
2	1154	FITTING: PVC MALE ADAPTER 1" X 1" MNPT
3	1578	FITTING: PVC COUPLING 1 1/2"
4	1338	FITTING: PVC REDUCING BUSHING 1" X 1 1/2" SPIGOT
5	1900-2.25	PIPE: PVC 1" X 2.25"
6	775	FILTER: 1" FNPT
7	1581	FITTING: PVC ADAPTER 1" SLIP X 1" FNPT
8	770	WATER METER: 1" - USG
9	1341	FITTING: PVC PLUG 1 1/2" SPIGOT
10	1334	FITTING: PVC TEE 1 1/2"
11	1721	REGULATOR SUPPLY VALVE UNIT: TEE 1 1/2"
12	1352	PIPE: 1 1/2" PVC
13	1333	FITTING: PVC ELBOW 1 1/2"
14	2459	REGULATOR SUPPLY VALVE: ELBOW UNIT 1.5" PVC X MHT
15	3858	COUPLING: FHT X 1/2" BARB
16	1788	HOSE: REG WATER SUPPLY 1/2" X 60FT/18M
17	2517	MEDICATOR HOOK UP ASSEMBLY: DOSATRON