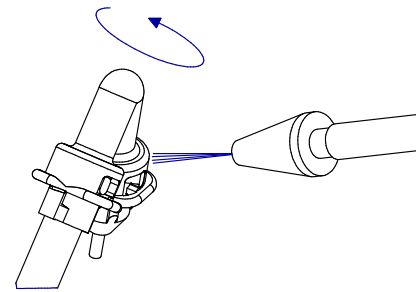
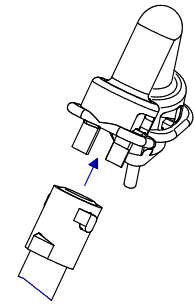


1



2



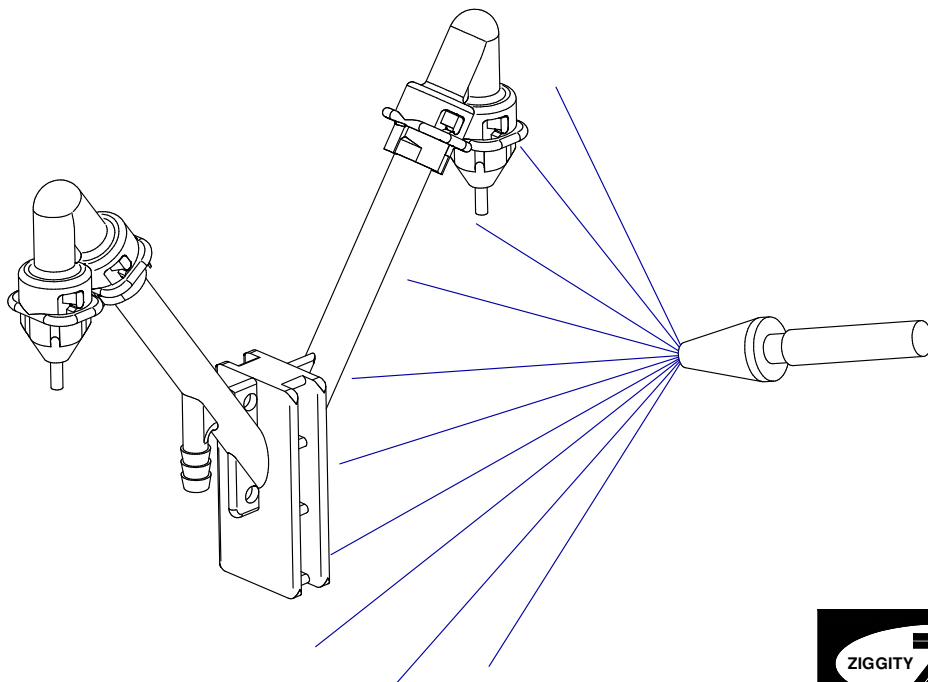
3

HIGH PRESSURE SPRAYING MAY CAUSE THE ELBOW SADDLE TO ROTATE AND WORK THEIR WAY OFF THE TL START GROW UNIT. NOTE ILLUSTRATIONS 1, 2 & 3.

AVOID THIS PROBLEM BY:

- 1.) USING A WIDER, LESS CONCENTRATED SPRAY PATTERN
- 2.) NOT DIRECTING THE SPRAY DIRECTLY AT THE ELBOW SADDLE
- 3.) CREATING SUFFICIENT DISTANCE BETWEEN THE SPRAY NOZZLE AND ELBOW SADDLES

NOTE ILLUSTRATION 4.



4