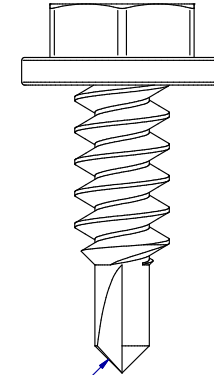
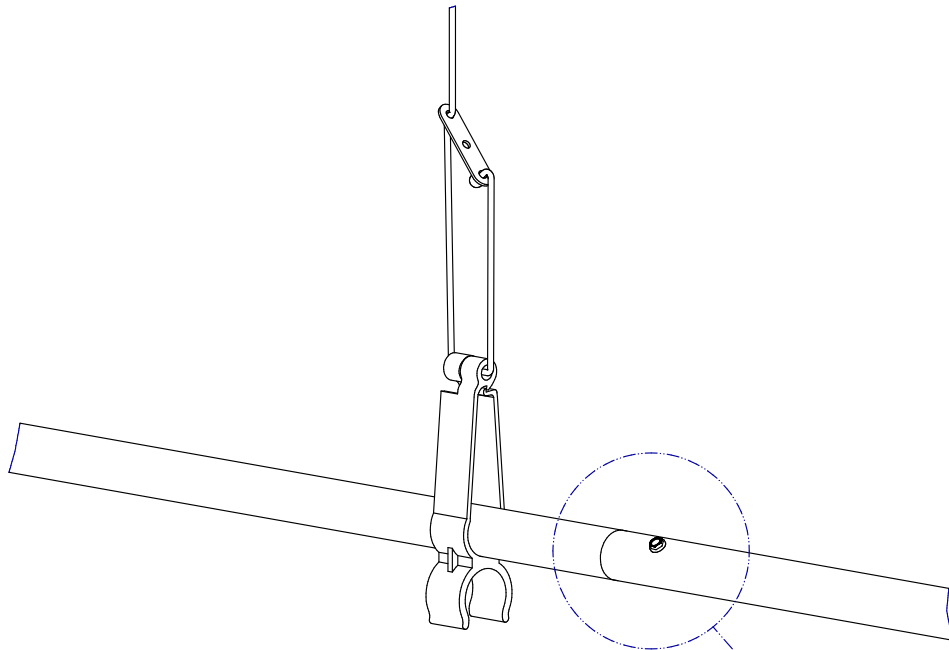
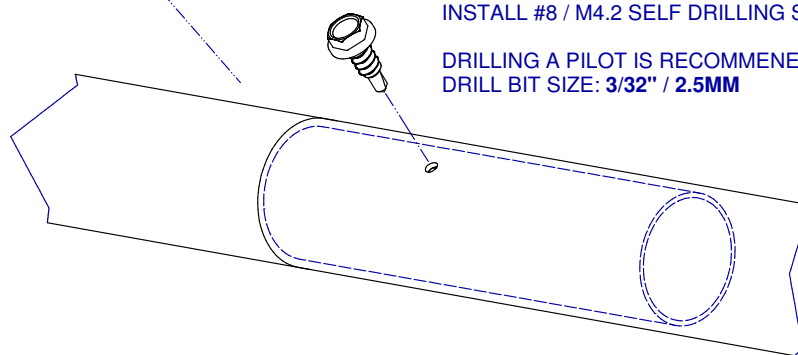


SCALE:



SELF-DRILLING TIP ON SCREW



INSTALL #8 / M4.2 SELF DRILLING SCREW

DRILLING A PILOT IS RECOMMENDED
DRILL BIT SIZE: 3/32" / 2.5MM



INSTALLATION: PREVENTING SUPPORT PIPE SEPARATION

PART NR.:

DATE: 11-02-05

REVISION: 3

GL1055