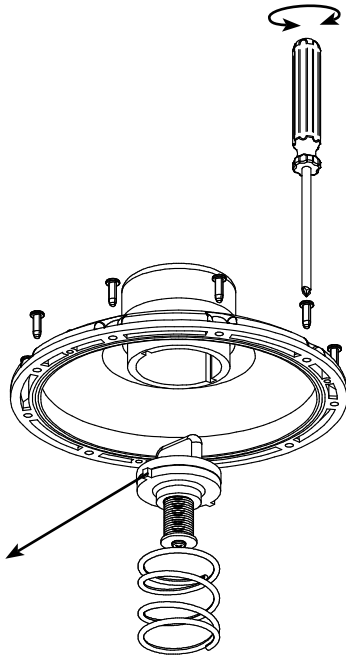
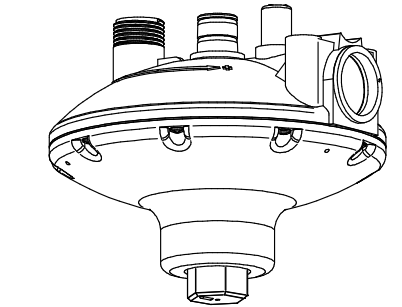
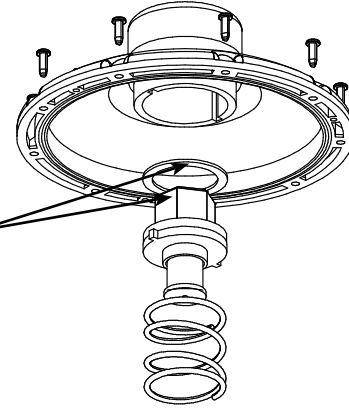


REMOVE STANDARD
ADJUSTMENT KNOB
(PART NR. 171).



INSERT ANTI-FRICTION
RING (PART NR. 978)
AND ADULT TURKEY
ADJUSTMENT KNOB
(PART NR.1016).



REGULATOR ADJUSTMENT KNOB CONVERSION
TO ADULT TURKEY REGULATOR

DATE: 08-06-14

REVISION:

PART NR.:

GL1084