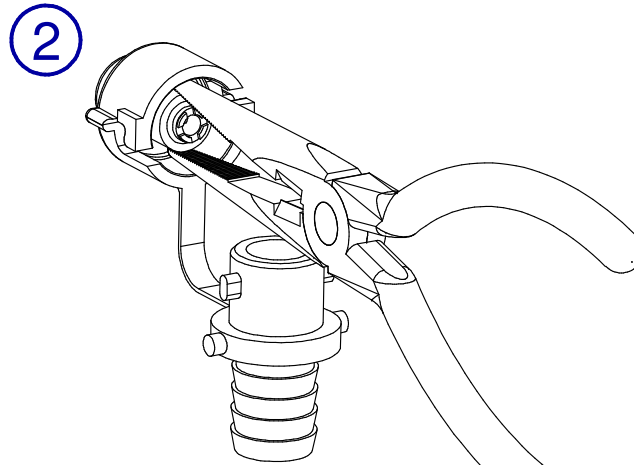
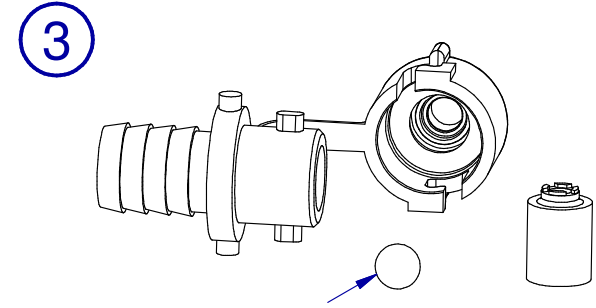


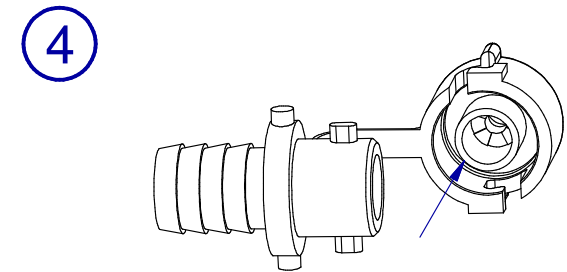
Open the riser tube cap.



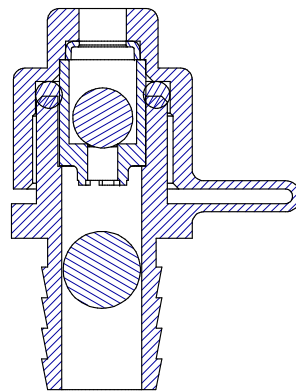
Gently squeeze and remove the ball retainer from the riser tube cap.



Remove the stainless steel ball.

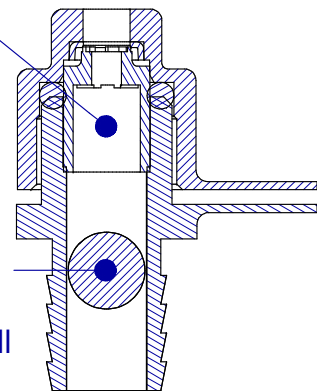


Reinstall the ball retainer upside down into the riser tube cap.



SECTION: Original Riser Cap

\* Brown retainer flipped upside down  
\* No steel ball



SECTION: Alternative Riser Cap

**IMPORTANT!** There must be a blue riser tube ball in the riser tube. Riser cap will not seal without it.