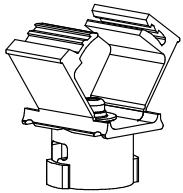
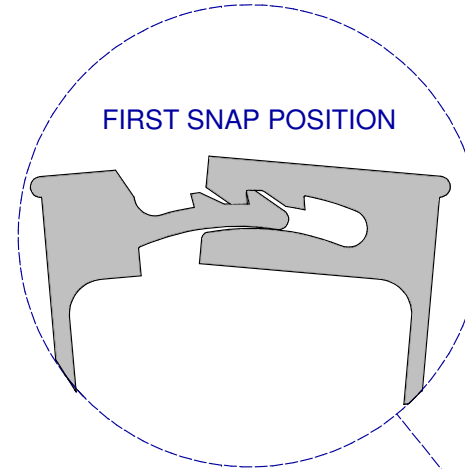
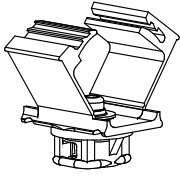


FOR THESE CLIP-ON SADDLE TYPES:

3869

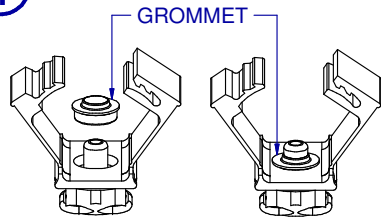


3870



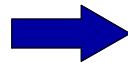
FIRST SNAP POSITION

①

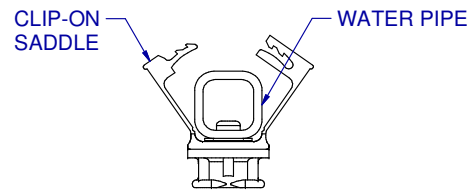


GROMMET

INSTALL THE GROMMET ONTO THE SADDLE



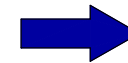
②



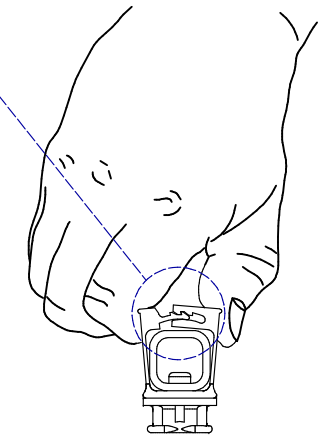
CLIP-ON SADDLE

WATER PIPE

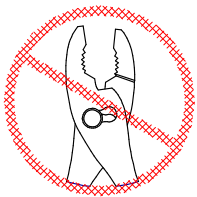
POSITION CLIP-ON SADDLE ONTO WATER PIPE



③



SQUEEZE CLIP INTO ITS FIRST SNAP POSITION USING FINGERS AS SHOWN
NOTE: STEP 4 ON NEXT PAGE

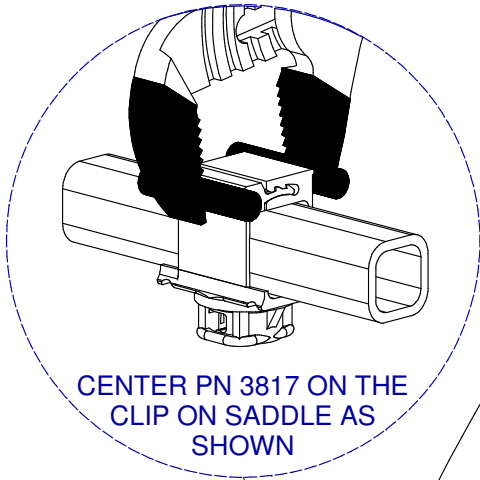


**WARNING: DO NOT USE
ADJUSTABLE PLIERS
OR CHANNEL LOCKS!**

USE PN 3817 OR VISE-GRIP PLIER "11R" TO COMPLETE STEP 4 OF THE INSTALLATION.

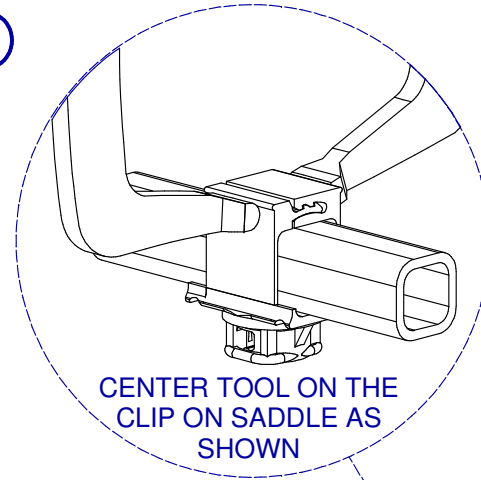
SCALE: 40%

④

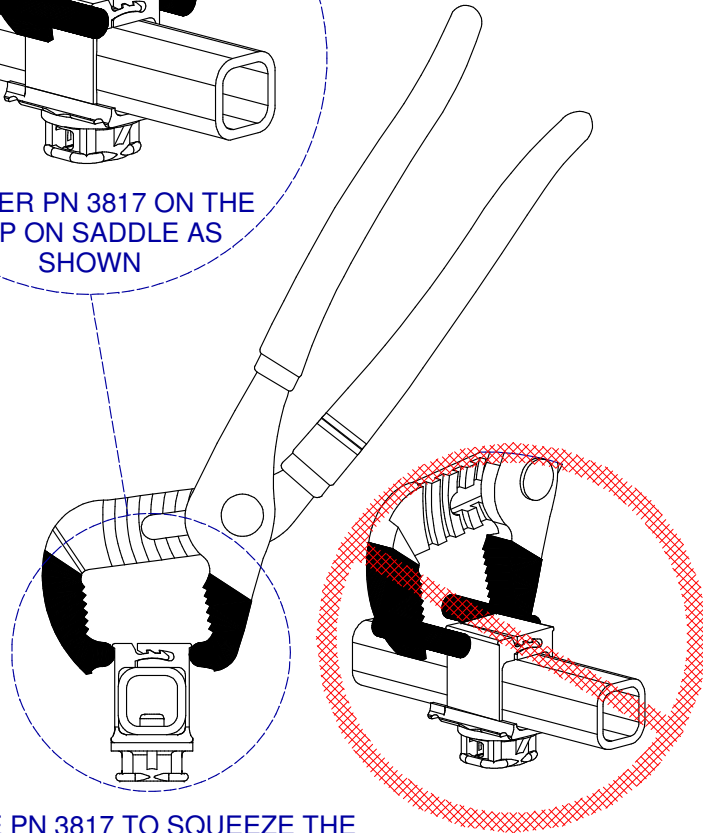


CENTER PN 3817 ON THE CLIP ON SADDLE AS SHOWN

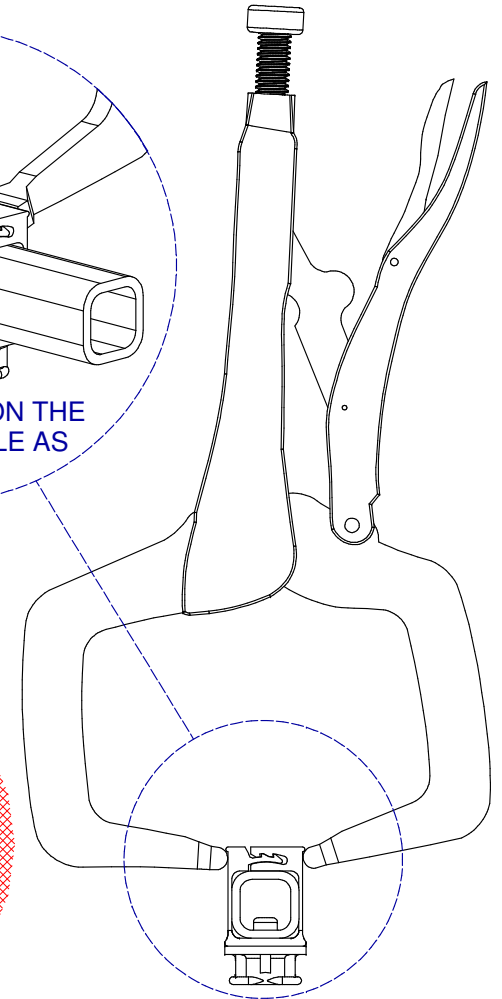
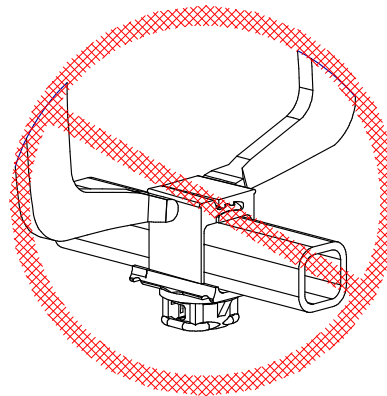
④



CENTER TOOL ON THE CLIP ON SADDLE AS SHOWN



USE PN 3817 TO SQUEEZE THE CLIP UNTIL THE SECOND SNAP IS ENGAGED



USE LARGE VISE-GRIP PLIER CLAMP (11R SHOWN) TO SQUEEZE THE CLIP UNTIL THE SECOND SNAP IS ENGAGED