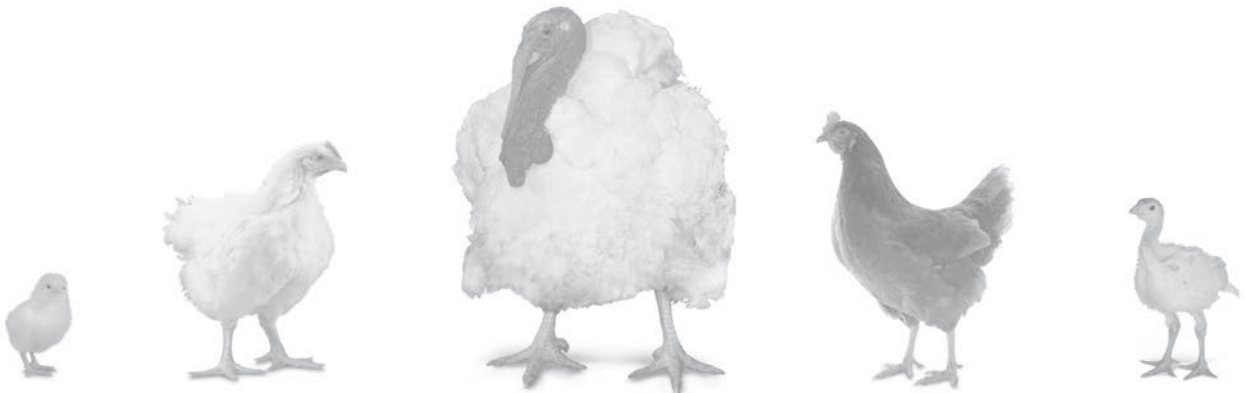


The Poultry Watering Specialists



Installation Manual: Winch System Floor Application

Superior performance, exceptional durability and easy management.



THIS PAGE INTENTIONALLY LEFT BLANK

**ZIGGITY SYSTEMS, INC.
STANDARD WARRANTY**

Ziggity Systems, Inc. ("Ziggity") warrants to the original retail purchaser ("Purchaser") of any Ziggity product ("Product") that for one (1) year from the date of original retail purchase the Product will be free from defects in materials and workmanship that are material in nature. The sole remedy available to Purchaser in the event of such a defect will be the repair or replacement (at Ziggity's sole option) of the materially defective Product, excluding labor. Purchaser will be responsible for the expense of shipping the defective Product to Ziggity and, upon Ziggity's approval of the warranty claim, Ziggity will be responsible for the expense of shipping the repaired or replaced Product to Purchaser. Any Product or Product replacement parts provided by Ziggity under this warranty are only warranted for the remainder of the warranty period for the original Product. Any Product or Product replacement part replaced by Ziggity under this warranty becomes the property of Ziggity.

This warranty excludes liability for defects in or damage to the Product (both internal and external) caused, directly or indirectly, by misuse, neglect, negligence, alteration, accident, excessive mineral or chemical contact, corrosive chemical use, minerals or sediment in the water, poor quality water, acts of nature or failure to: (A) follow Ziggity's guidelines and recommendations for the Product, (B) follow installation and operating instructions for the Product, (C) use potable and filtered water in and with the Product, or (D) properly maintain the Product. Furthermore, this warranty does not extend to any item that is manufactured by others, including without limitation items such as: galvanized support pipe, water filters, water meters, sight gauges and proportioners. These items are warranted separately by the original manufacturer, if at all.

Ziggity makes no other representations or warranties of any kind except as expressly stated in this warranty. Ziggity disclaims any and all implied warranties including the warranty of merchantability and the warranty of fitness for a particular purpose. To the fullest extent permitted by applicable law, Ziggity shall not be liable to Purchaser for any consequential, incidental, exemplary, punitive, special, or indirect damages, and Ziggity shall not be liable for any damages that are based on negligence, breach of warranty, or strict liability. Ziggity's liability under this warranty shall in no event exceed the purchase price paid by Purchaser for the defective Product. Some states do not allow exclusion or limitation of damages to the full extent described above, so the above exclusions and limitations may not apply fully to you.

Ziggity may from time to time, through its issuance of formal Information Update documents, provide for supplemental warranty coverage in addition to this standard warranty for certain products, or may provide for deviations or exclusions from this standard warranty for certain products. If any such supplemental, deviation, or exclusion Information Updates apply to your Product, you will be provided with a copy of such Information Updates at the time of your original retail purchase and the standard warranty provided for above will be deemed modified accordingly.

No person, including any dealer, distributor, agent, or other representative of Ziggity, is authorized to make any representation or warranty concerning the Product other than as specifically contained in this standard warranty and any Information Update from Ziggity providing for any supplemental warranty coverage or deviation or exclusion from warranty coverage. Ziggity reserves the right to change Product models, make changes to the Product and Product specifications, at any time and without notice or obligation to Purchaser.

**ZIGGITY SYSTEMS, INC.
EXTENDED DRINKER WARRANTY**

In addition to its standard warranty, Ziggity provides an extended warranty for certain Drinkers manufactured by Ziggity. All other provisions of the standard warranty apply to the Extended Drinker Warranty. If any covered Drinker is determined by Ziggity to be defective in materials or workmanship after the expiration of the one (1) year standard warranty period and prior to ten (10) years after the date of the original retail purchase, Ziggity will provide a replacement Drinker or Drinker components, as applicable, to the original retail purchaser at the following discount off of published list/brutto prices:

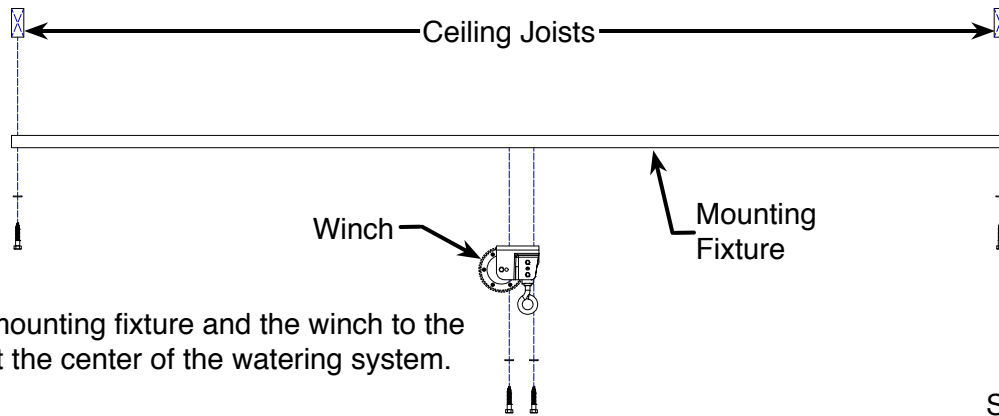
End User Purchase Date	End User Discount
0 - 36 months	100% (No charge)
37 - 60 months	65%
61 - 120 months	40%

WARNING – AVOID USE WITH OR EXPOSURE TO CORROSIVE PRODUCTS

Do not allow Ziggity products to come into contact with petroleum, phenol or aldehyde based products or any other corrosive product in general. Contact with such corrosive products is likely to result in damage to or failure of the Ziggity product. Additionally, aggressive chlorination and/or acidification programs (greater than 1 ppm and/or pH less than 6) will shorten the life of Ziggity products. Failure to follow this warning will void any otherwise applicable warranty coverage for the Ziggity product when the product is chemically damaged.

WINCH INSTALLATION

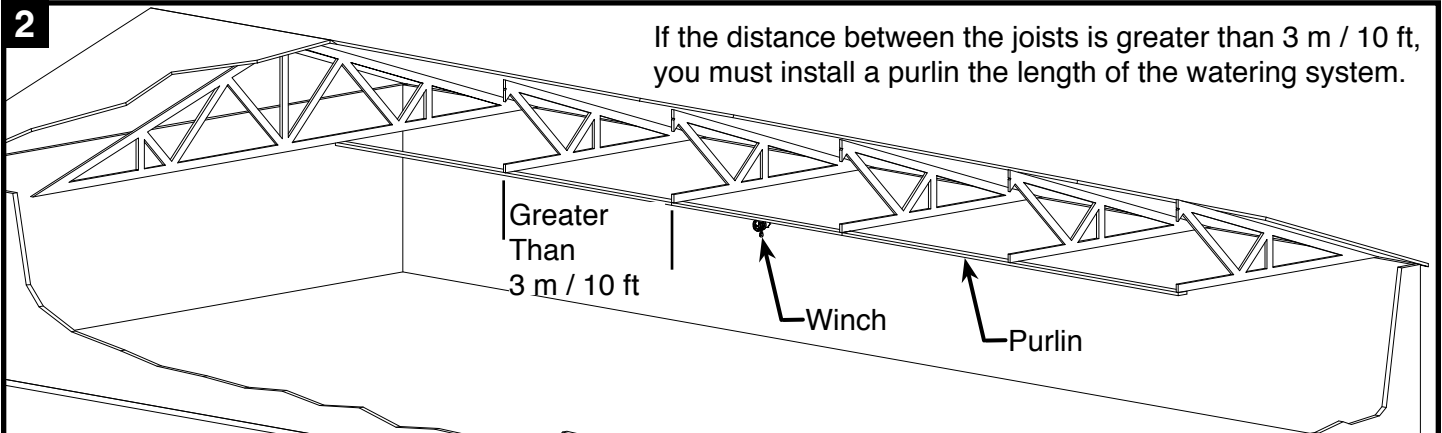
1



Install a rigid mounting fixture and the winch to the ceiling joists at the center of the watering system.

Side view shown

2

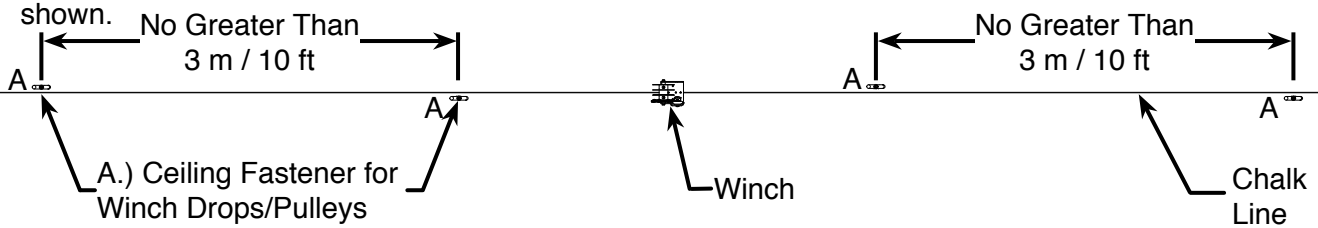


If the distance between the joists is greater than 3 m / 10 ft, you must install a purlin the length of the watering system.

WINCH CABLE INSTALLATION

1

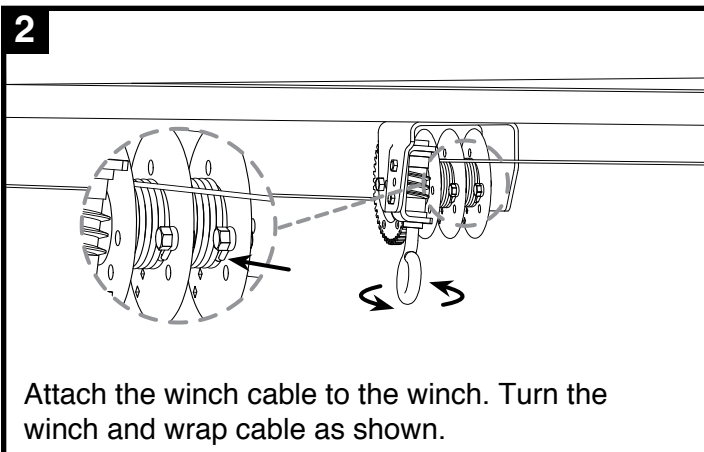
Use a chalk line reel to mark the center line of the watering system. Make sure the line runs through the center of the winch. When installing ceiling fasteners, offset 5 cm / 2 in alternating to each side as shown.



Use the ceiling fastener required by your joist style. (Illustrations shown using screw hooks.)

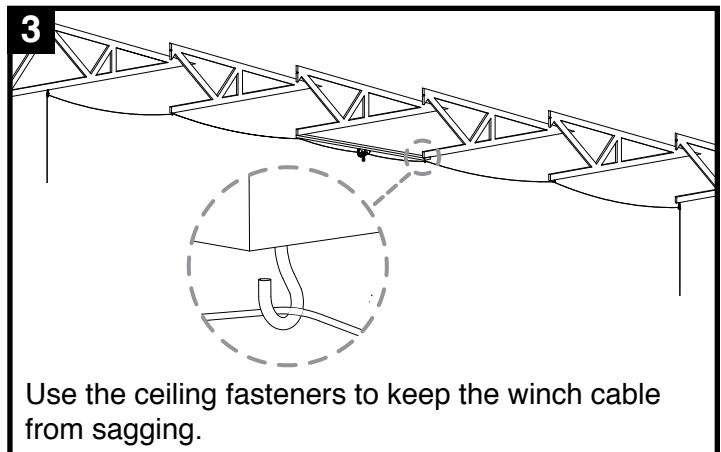
Ceiling view shown

2



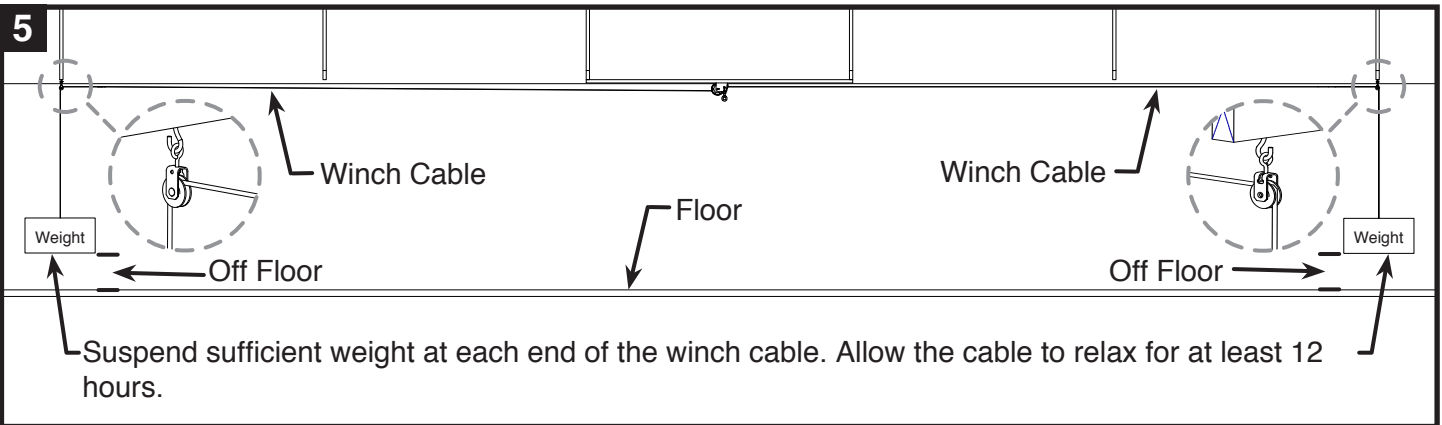
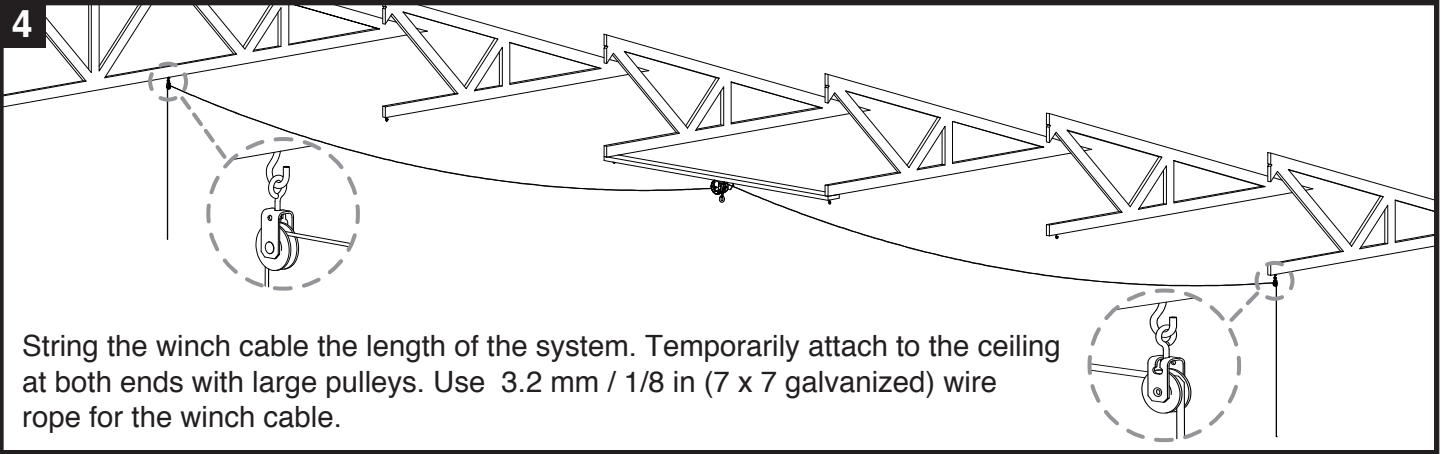
Attach the winch cable to the winch. Turn the winch and wrap cable as shown.

3

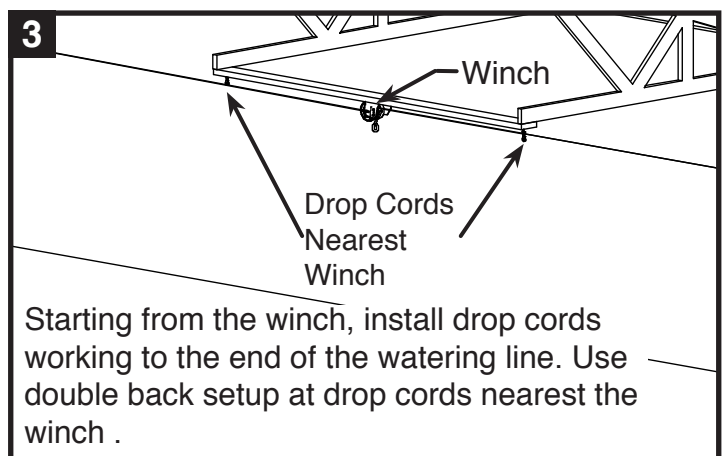
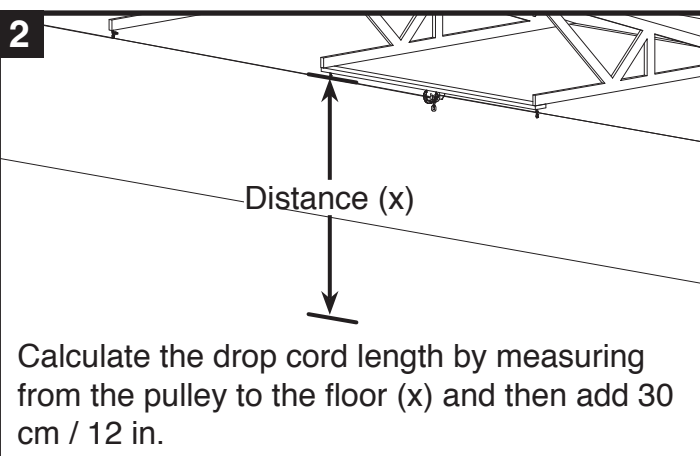
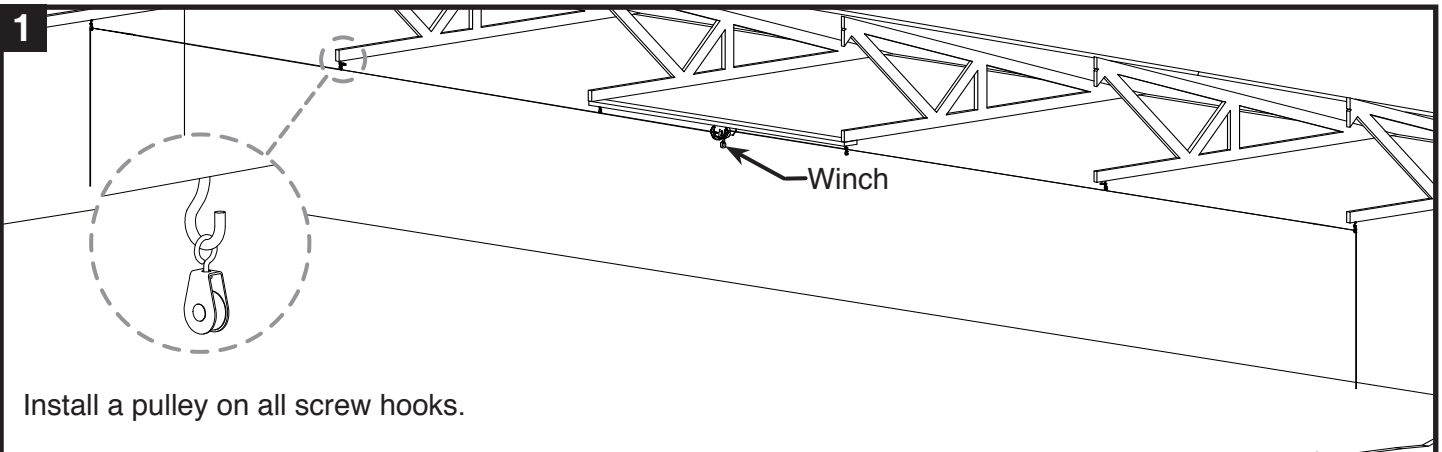


Use the ceiling fasteners to keep the winch cable from sagging.

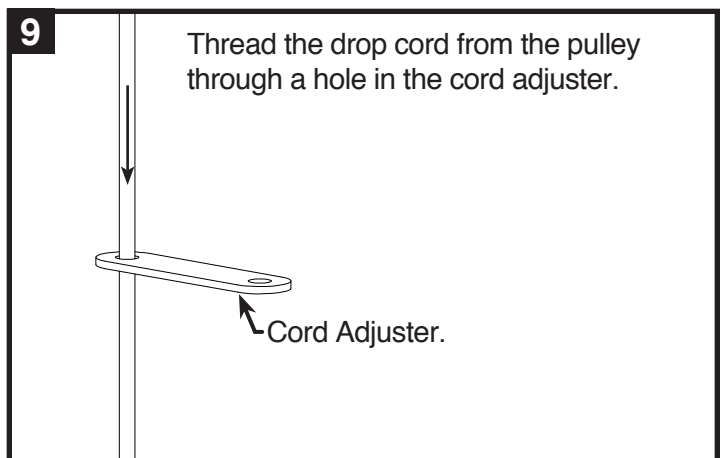
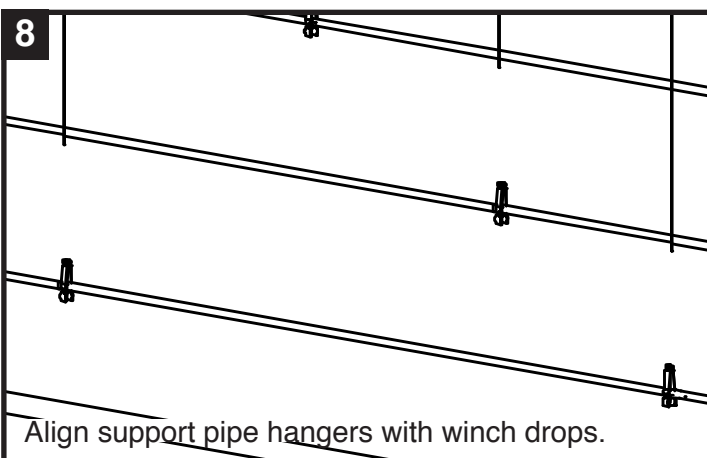
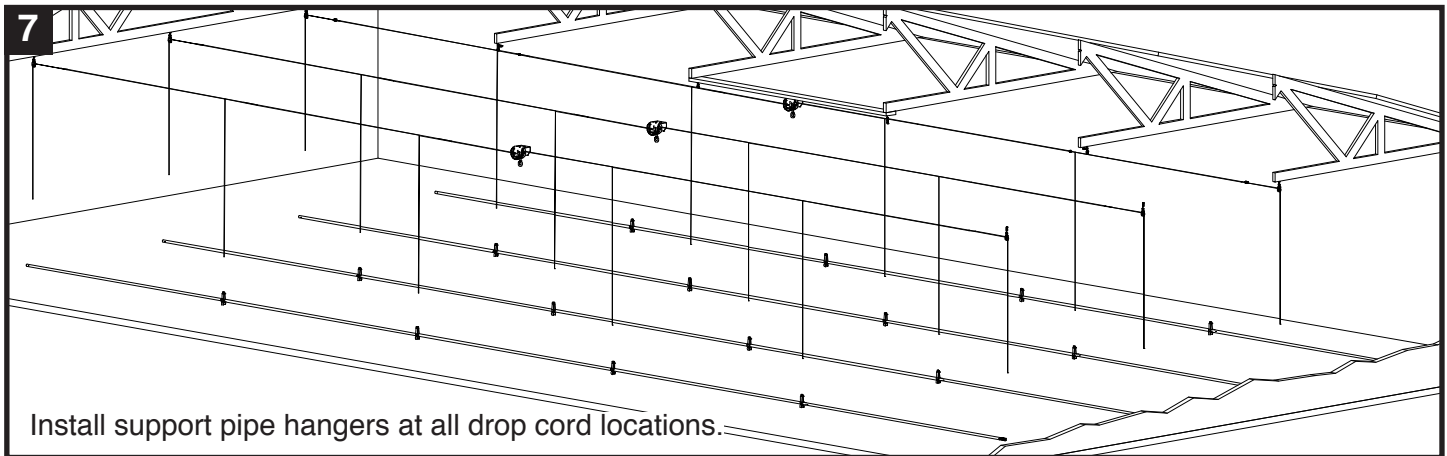
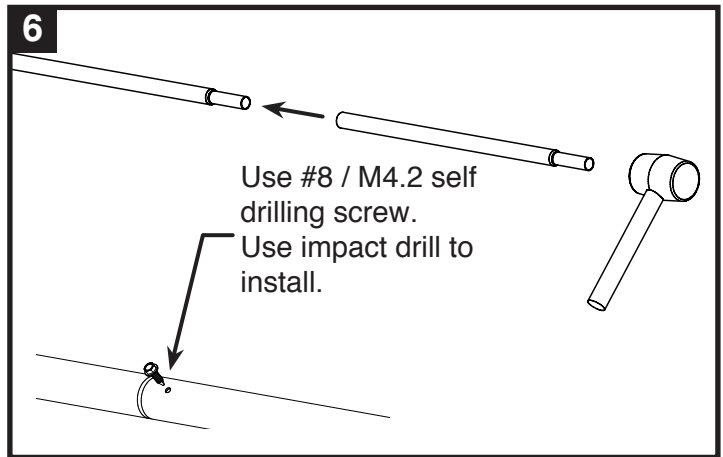
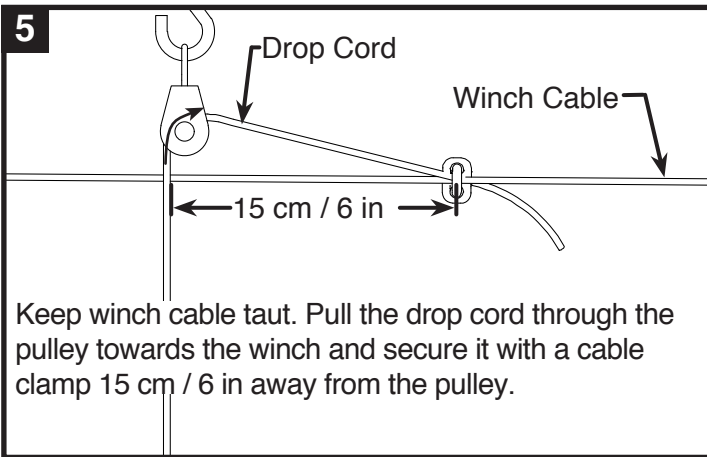
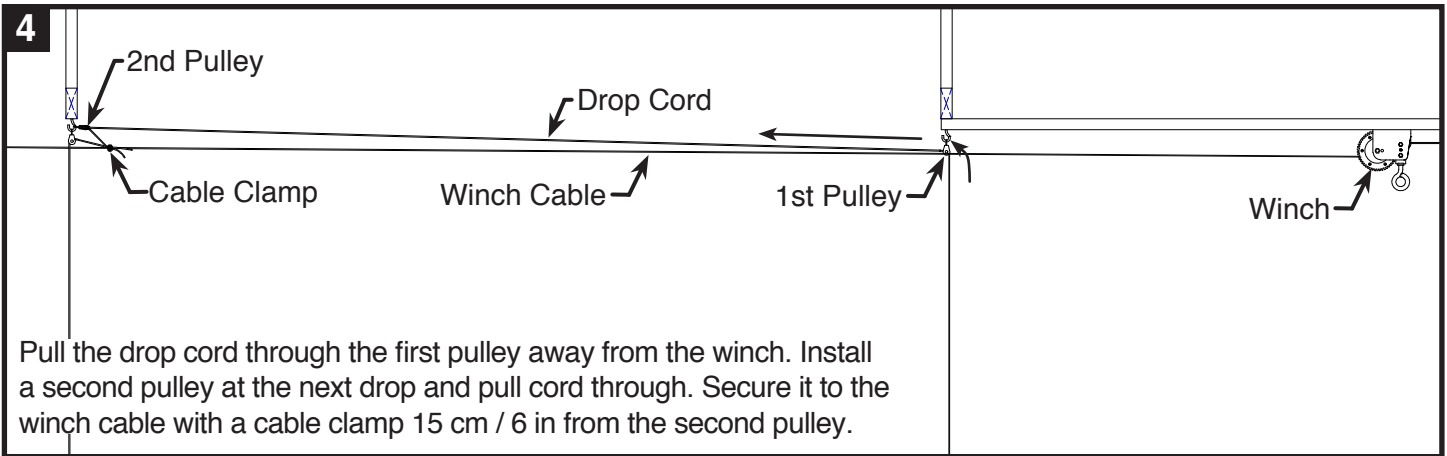
WINCH CABLE INSTALLATION



SUPPORT PIPE AND DROP CORD INSTALLATION



SUPPORT PIPE AND DROP CORD INSTALLATION

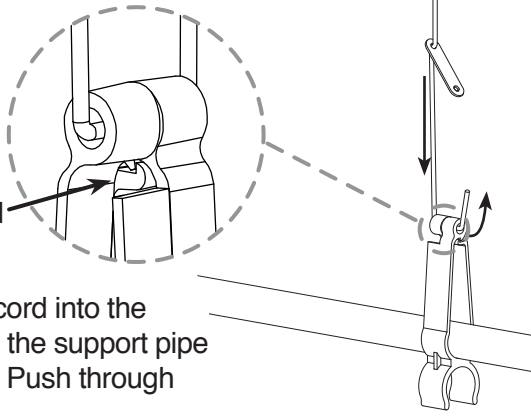


SUPPORT PIPE AND DROP CORD INSTALLATION

10

Open End

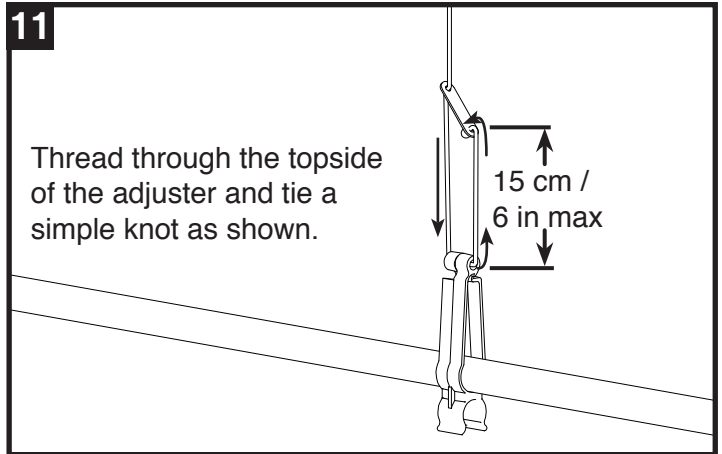
Insert drop cord into the open end of the support pipe hanger first. Push through the hanger.



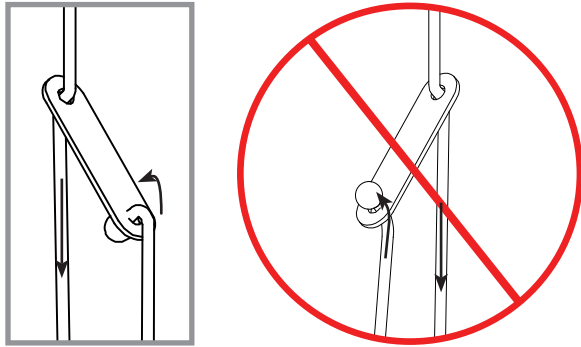
11

Thread through the topside of the adjuster and tie a simple knot as shown.

15 cm /
6 in max



12



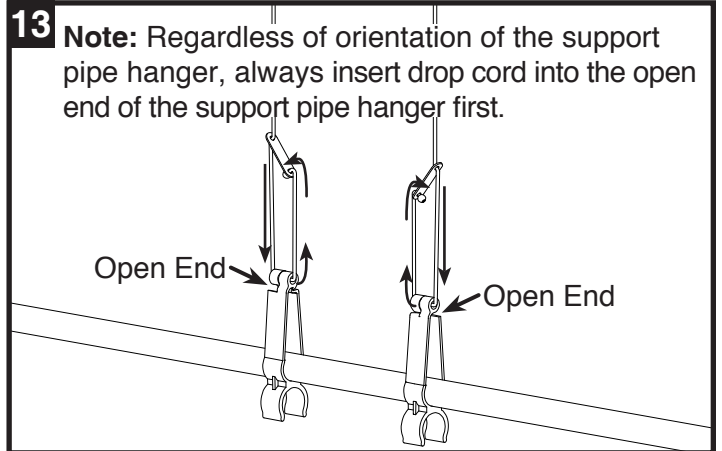
Do not thread from the underside of the adjuster.

13

Note: Regardless of orientation of the support pipe hanger, always insert drop cord into the open end of the support pipe hanger first.

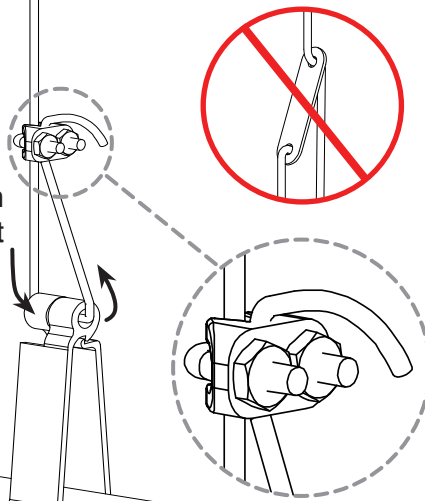
Open End

Open End



14

Loop through open end first



Note Very Important: When installing slope neutralizers, cable clamps must be installed at all system hangers in place of sliding cord or cable adjusters.